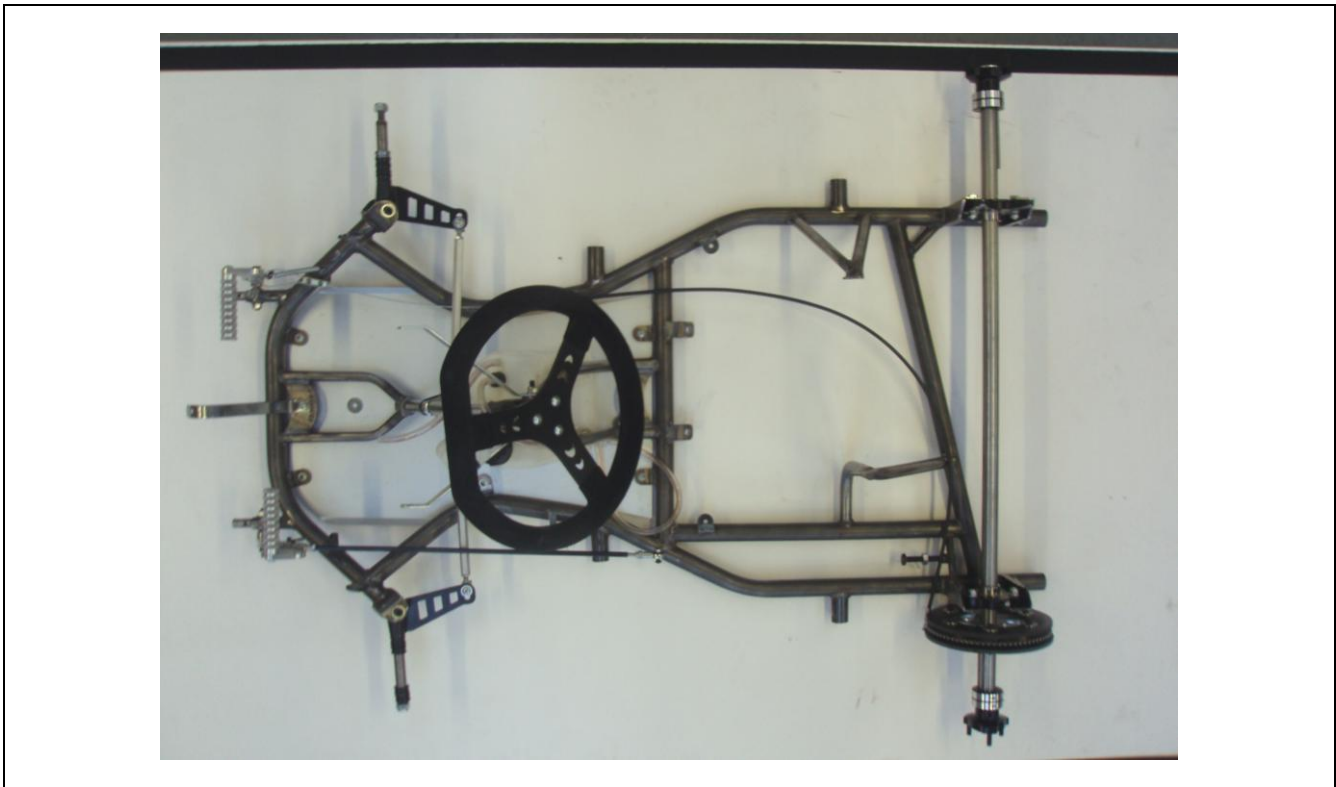


## HOMOLOGATION OF CHASSIS


<i>Manufacturer</i>	Project One Racing
<i>Make</i>	Project One
<i>Model</i>	Mk.4
<i>Category</i>	Formula Cadet
<i>Valid from</i>	1 <sup>st</sup> January 2011
<i>Valid until</i>	31 <sup>st</sup> December 2019
<i>Number of pages</i>	4

*This Homologation Form reproduces descriptions, illustrations and dimensions of the chassis at the moment of the MSA homologation. The Manufacturer may modify them, but only within the limits set by the MSA regulations in force and with the written agreement of the MSA.*

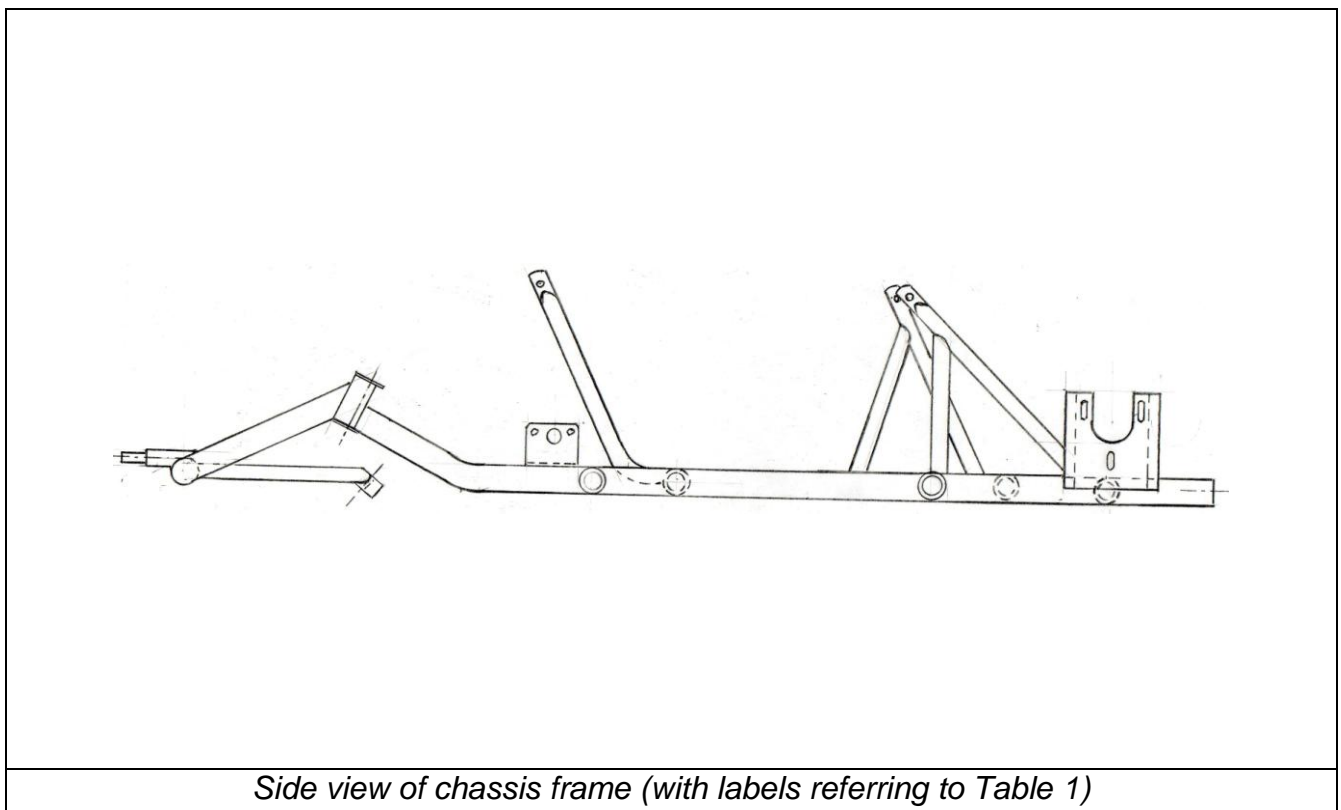
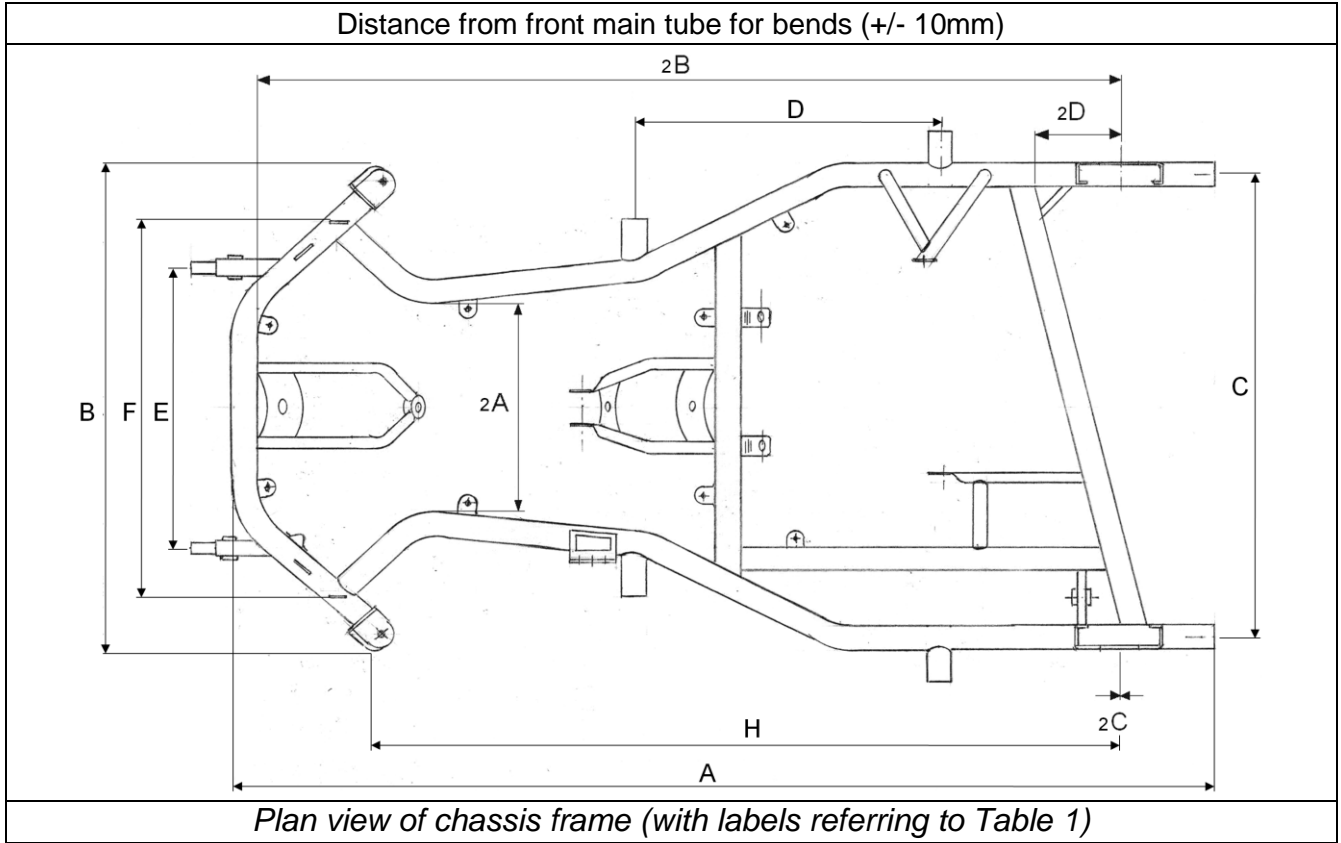


*Photograph of complete chassis less seat and bumpers*

### SIGNATURE AND STAMP OF THE MSA

	Date: <b>1<sup>st</sup> January 2011</b>  Signed by: <b>John Ryan</b>  Position: <b>MSA Technical Executive</b>
---	---

**TECHNICAL DRAWINGS OF FRAME WITH MAIN DIMENSIONS**



**TABLE 1 – DIMENSIONS OF FRAME**

		<i>Measurement</i>	<i>Tolerance / Remarks</i>
<b>A:</b>	Total length (w/out front bumper)	<b>1230 mm</b>	+/- 10 mm
<b>B:</b>	Outer front width	<b>645 mm</b>	+/- 10 mm
<b>C:</b>	Rear width *	<b>580 mm</b>	+/- 5 mm (600 ± 25mm mandatory)
<b>D:</b>	Distance between side bumper mounting points *	<b>380 mm</b>	+/- 5 mm
<b>E:</b>	Distance between front bumper lower mountings *	<b>350 mm</b>	+/- 5 mm
<b>F:</b>	Distance between front bumper upper mountings	<b>520 mm</b>	+/- 5 mm (outer)
<b>G:</b>	Number of bends	<b>8</b>	-
<b>H:</b>	Wheelbase	<b>900 mm</b>	+/- 5 mm
<b>I:</b>	Number of tubes	<b>6</b>	( $\varnothing > 21\text{mm}$ ; length > 150mm)
<b>J:</b>	Diameter	<b>28 mm</b>	+/- 0.5 mm
<b>K:</b>	Wall thickness	<b>2.0 mm</b>	+/- 0.1 mm
<b>L:</b>	Material	<b>Magnetic Steel</b>	mandatory
<b>M:</b>	Number of bearings	<b>2</b>	mandatory

\* *Distance between centres of tubes*

**TABLE 2 – ADDITIONAL INFORMATION**

		<i>Measurement</i>	<i>Tolerance</i>
<b>A:</b>	Inner waist width	<b>280 mm</b>	+/- 10 mm
<b>B:</b>	Inside edge of front tube to centreline of rear axle	<b>1090 mm</b>	+/- 10 mm
<b>C:</b>	Rear edge of rear cross rail mounting point to centreline of axle – engine side	<b>-20 mm</b>	+/- 10 mm
<b>D:</b>	Rear edge of rear cross rail mounting point to centreline of axle – opposite side	<b>112 mm</b>	+/- 10 mm

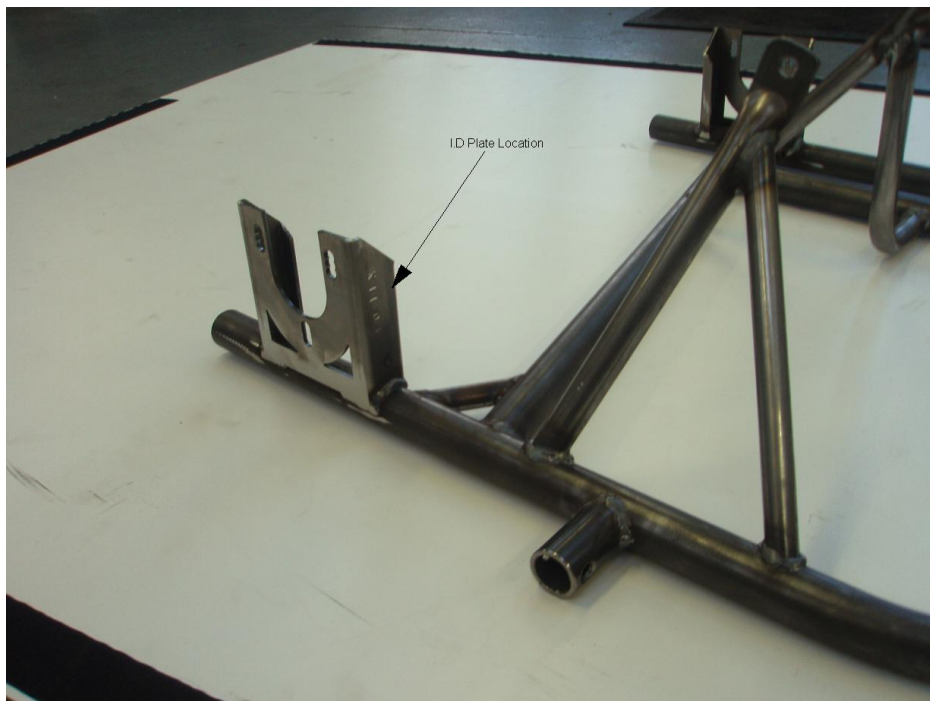
**COMPLIMENTARY INFORMATION**

Note: Imperial equivalent tube used.

## DETAILS OF IDENTITY PLATE



*Photograph of I.D. plate*



*Photograph / drawing of position of I.D. plate*

Extension No.: 1

## EXTENSION TO CHASSIS HOMOLOGATION

<i>Manufacturer</i>	Project One Racing
<i>Make</i>	Project One
<i>Model</i>	Mk.4
<i>Category</i>	Formula Cadet
<i>Valid from</i>	1 <sup>st</sup> January 2011
<i>Number of pages</i>	1

Exact 'mirror image' variant of the chassis is permitted

### SIGNATURE AND STAMP OF THE MSA

A handwritten signature in dark ink is written over a printed MSA logo. The logo consists of the letters 'MSA' in a bold, sans-serif font, with a stylized graphic element above it that resembles a wing or a swoosh.

Date: **16<sup>th</sup> June 2011**

Signed by: **John Ryan**

Position: **MSA Technical Executive**