

REGISTRATION OF CHASSIS PROTECTOR

<i>Manufacturer</i>	Dartford Karting Ltd
<i>Material</i>	HDPE
<i>Method of fixation</i>	2x M6 screws per side, 3x M6 screws front
<i>Minimum thickness</i>	6 mm
<i>Valid from</i>	1 st May 2012
<i>Number of pages</i>	3

This Registration Form reproduces descriptions, illustrations and dimensions of the chassis protector at the moment of registration. This document may be supplemented by official amendment.



Photo of Chassis Protector

SIGNATURE AND STAMP OF THE MSA

A handwritten signature in black ink, followed by the MSA logo which consists of the letters 'MSA' in a bold, sans-serif font with a stylized red and blue graphic element above it.

Date: **01 May 2012**

Signed by: **John Ryan**

Position: **MSA Technical Executive**

Any reproduction must be authorised by the MSA

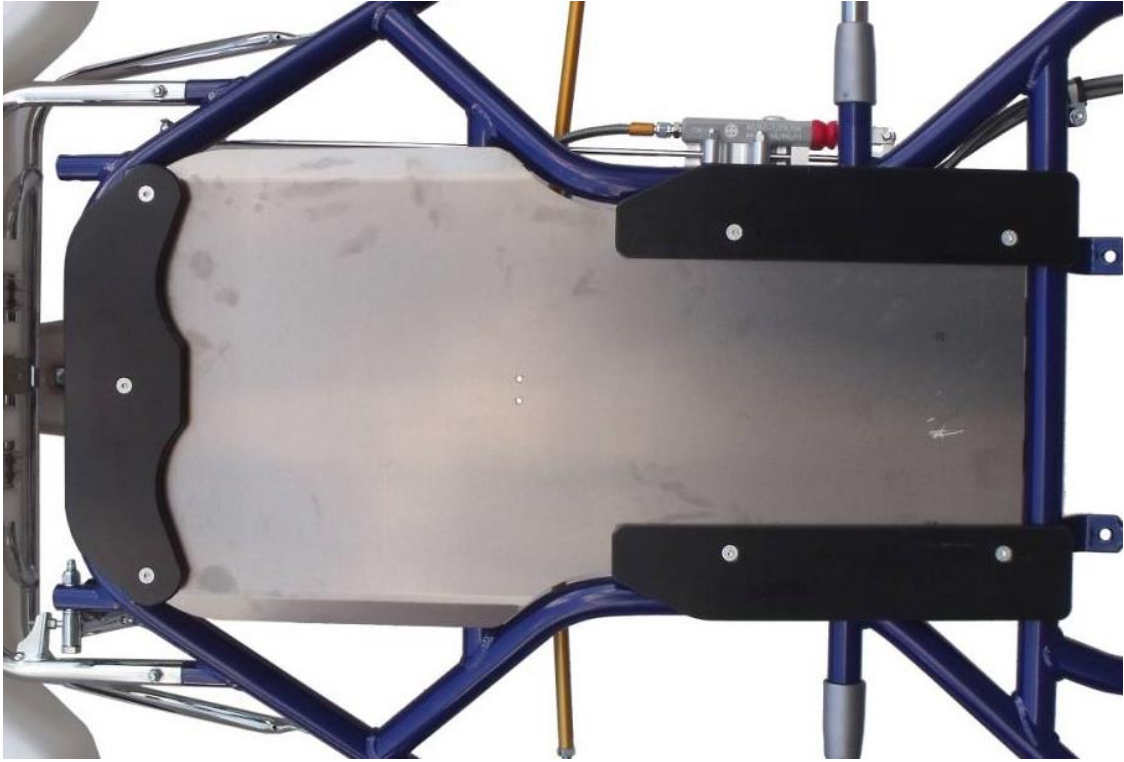
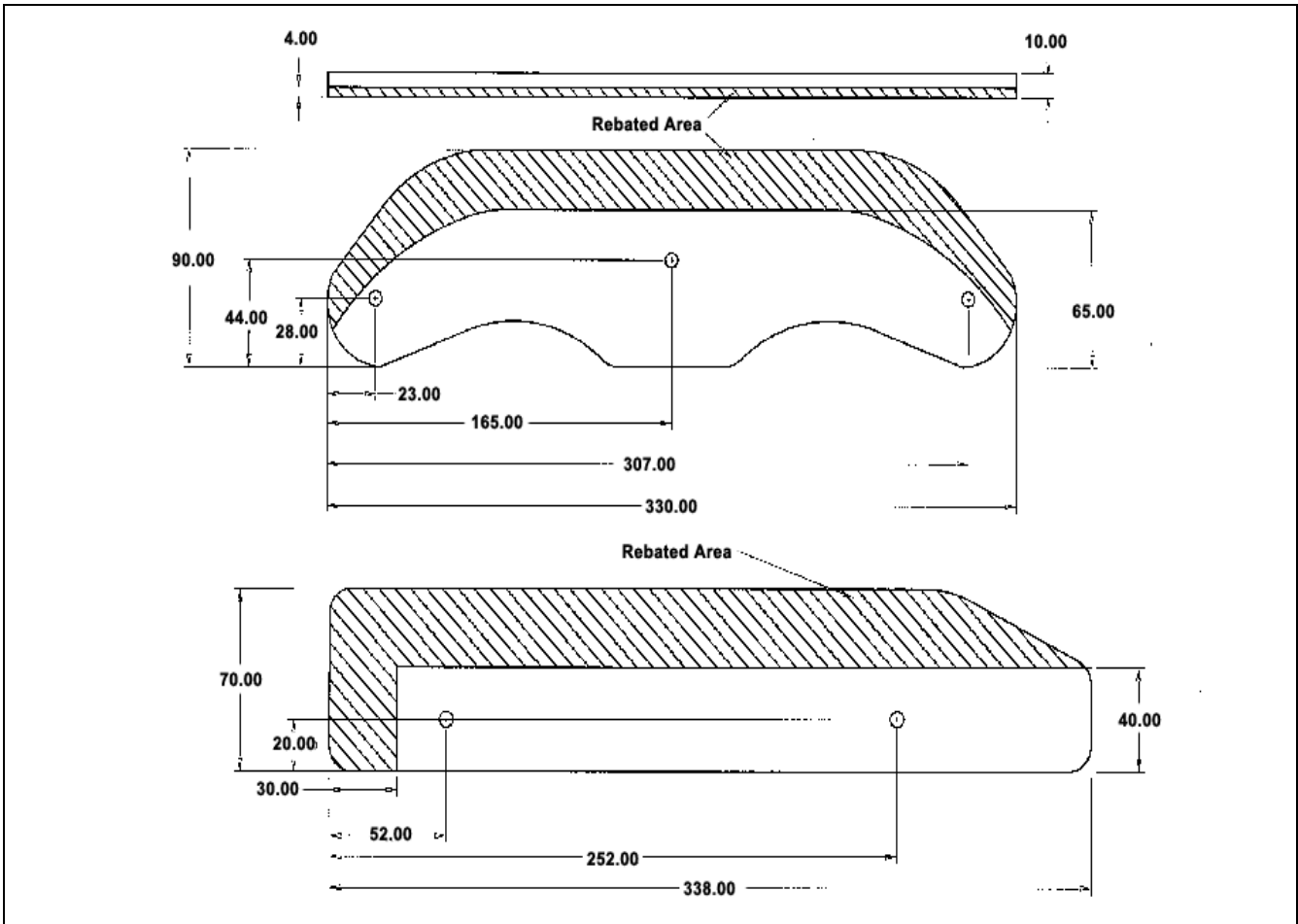


Photo of Chassis Protector Attached to Kart



Photo of Identification Marking



Drawing of the Chassis Protector (including dimensions)

COMPLIMENTARY INFORMATION

This set is designed primarily for OTK branded chassis but will fit most other chassis subject to drilling of new holes either in these components or in the floor tray.

Installation instructions and fixing nuts & screws are provided in the set