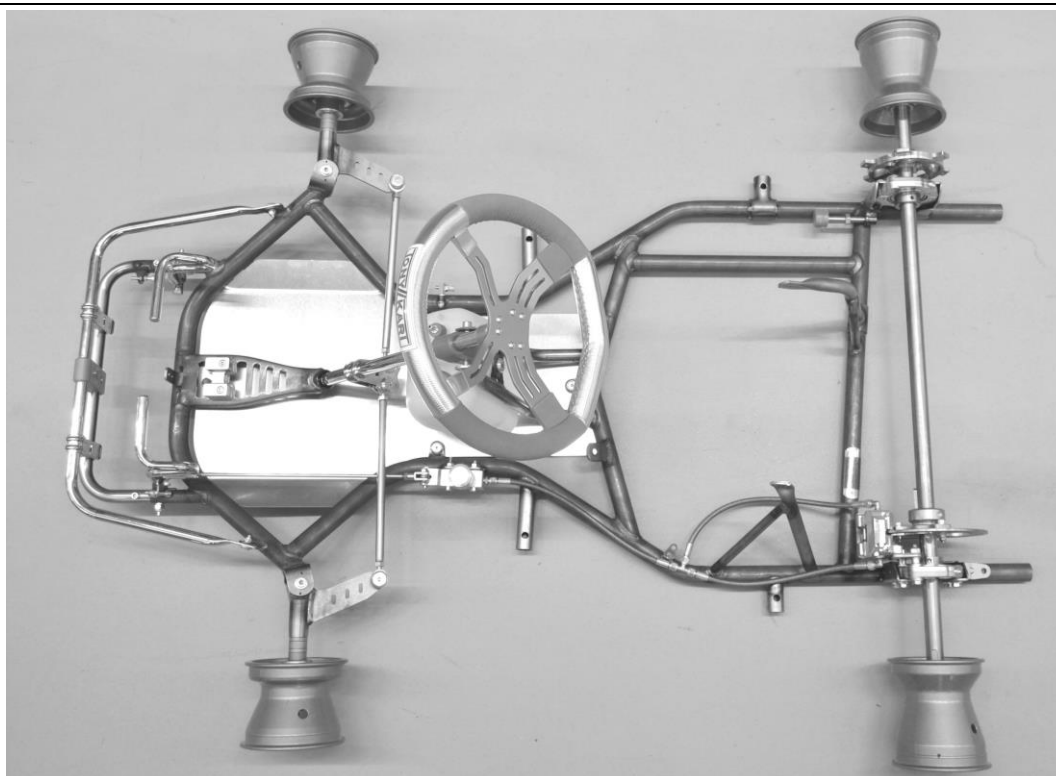


## HOMOLOGATION OF CHASSIS

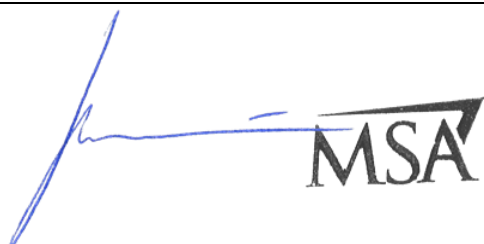
<i>Manufacturer</i>	OTK Kart Group S.r.l.
<i>Make</i>	OTK
<i>Model</i>	Tonykart-Kosmic-FA-Exprit-Redspeed
<i>Category</i>	Formula Cadet
<i>Valid from</i>	01 January 2017
<i>Valid until</i>	31 December 2025
<i>Number of pages</i>	4

*This Homologation Form reproduces descriptions, illustrations and dimensions of the chassis at the moment of the MSA homologation. The Manufacturer may modify them, but only within the limits set by the MSA regulations in force and with the written agreement of the MSA.*



*Photograph of complete chassis less seat and bumpers*

### SIGNATURE AND STAMP OF THE MSA

  
**MSA**

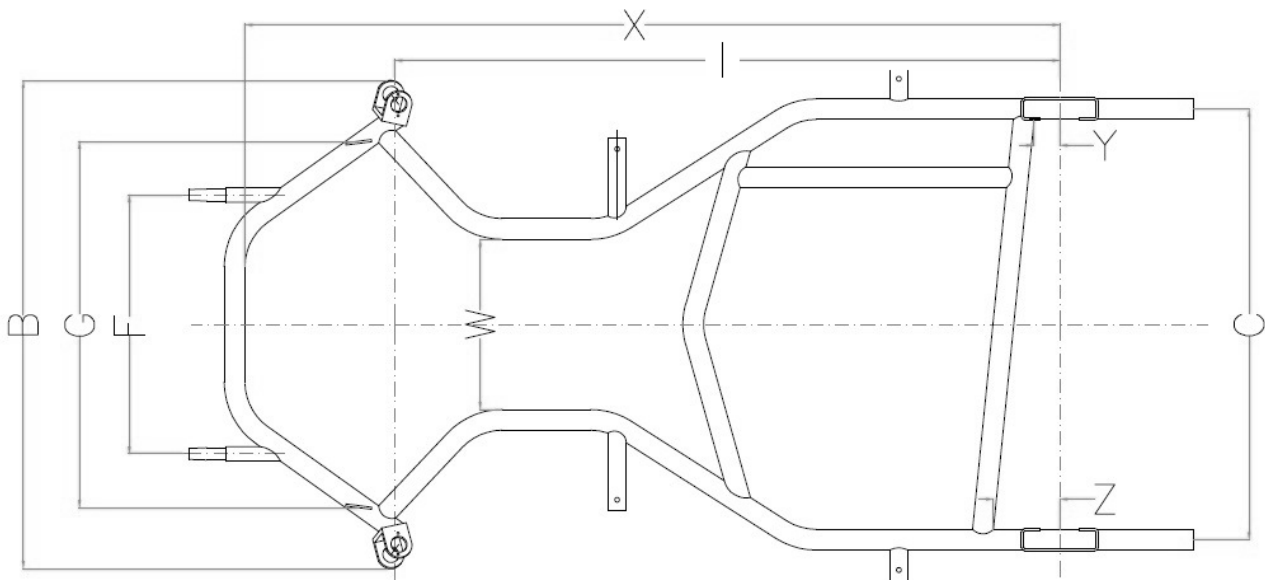
Date: **06 December 2016**

Signed by: **Joe Hickerton**

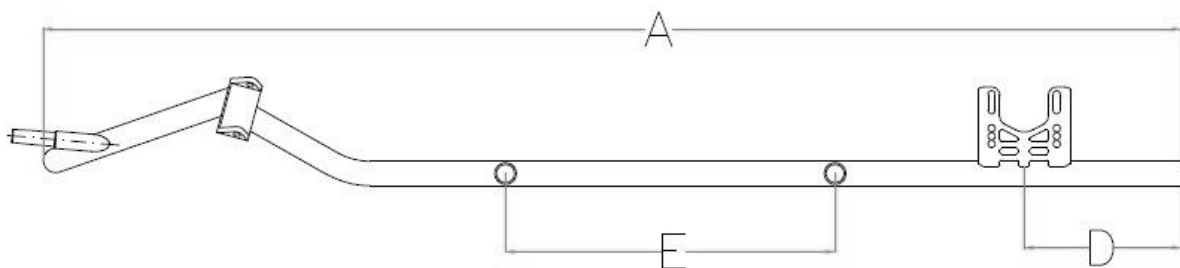
Position: **Technical Manager**

**TECHNICAL DRAWINGS OF FRAME WITH MAIN DIMENSIONS**

Distance from front main tube for bends (+/- 10mm)



*Plan view of chassis frame (with labels referring to Table 1 & Table 2)*



*Side view of chassis frame (with labels referring to Table 1)*

**TABLE 1 – DIMENSIONS OF FRAME**

		<i>Measurement</i>	<i>Tolerance / Remark</i>
<b>A:</b>	Total length (w/out front bumper)	<b>1300 mm</b>	± 10 mm
<b>B:</b>	Outer front width	<b>661 mm</b>	± 10 mm
<b>C:</b>	Rear width *	<b>582mm</b>	± 5 mm (within limits of 600 ± 25mm)
<b>D:</b>	Rear overhang	<b>177 mm</b>	± 15 mm
<b>E:</b>	Distance between side bumper mounting points *	<b>380 mm</b>	± 5 mm
<b>F:</b>	Distance between front bumper lower mountings *	<b>350 mm</b>	± 5 mm
<b>G:</b>	Distance between front bumper upper mountings	<b>500 mm</b>	± 5 mm (outer)
<b>H:</b>	Number of bends	<b>9</b>	in main tubes
<b>I:</b>	Wheelbase	<b>900 mm</b>	± 5 mm
<b>J:</b>	Number of main tubes	<b>6</b>	with $\varnothing > 21\text{mm}$ (not incl. bumper mountings and seat stays)
<b>K:</b>	Diameter	<b>28 mm</b>	± 0.7 mm
<b>L:</b>	Wall thickness	<b>2.0 mm</b>	± 0.2 mm
<b>M:</b>	Material	<b>Magnetic Steel</b>	mandatory
<b>N:</b>	Number of bearings	<b>2</b>	mandatory
<b>O:</b>	Seat Attachment	<b>Welded</b>	welded or removable?

\* *Distance between centres of tubes*

**TABLE 2 – ADDITIONAL INFORMATION**

		<i>Measurement</i>	<i>Tolerance</i>
<b>W:</b>	Inner waist width	<b>230 mm</b>	± 10 mm
<b>X:</b>	Inside edge of front tube to centreline of rear axle	<b>1095 mm</b>	± 10 mm
<b>Y:</b>	Rear edge of rear cross rail mounting point to centreline of axle – engine side	<b>39 mm</b>	± 10 mm
<b>Z:</b>	Rear edge of rear cross rail mounting point to centreline of axle – opposite side	<b>91 mm</b>	± 10 mm

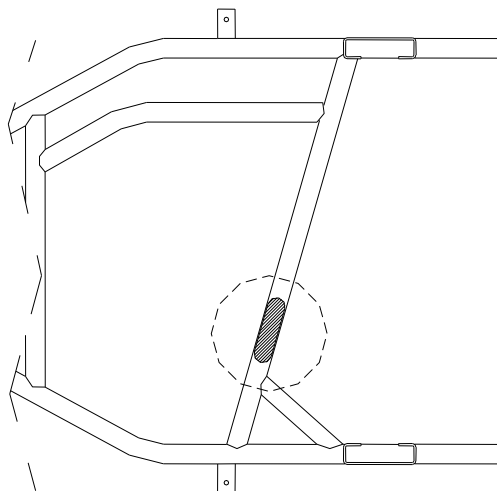
**COMPLIMENTARY INFORMATION**

**Exact mirror image left hand engine mount variant permitted.**

## DETAILS OF IDENTITY PLATE



*Photograph / drawing of I.D. plate*



*Photograph / drawing of position of I.D. plate*