


## REGISTRATION OF CHASSIS & BRAKE

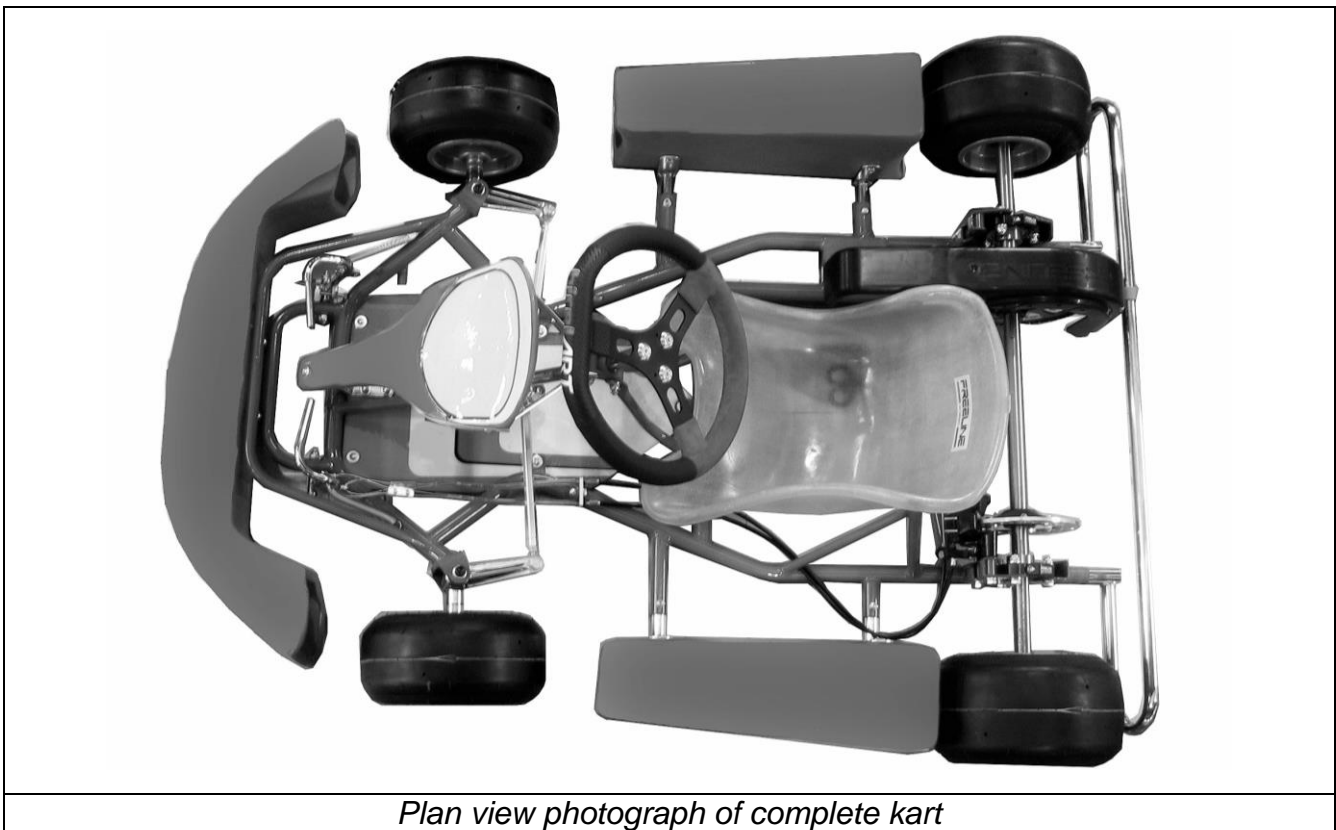
<i>Category</i>	<b>BAMBINO</b>
<i>Valid From</i>	11 March 2016
<i>Number of Pages</i>	7

*This Homologation Form reproduces descriptions, illustrations and dimensions of the chassis at the moment of the MSA homologation. The Manufacturer may modify them, but only within the limits set by the MSA regulations in force and with the written agreement of the MSA.*

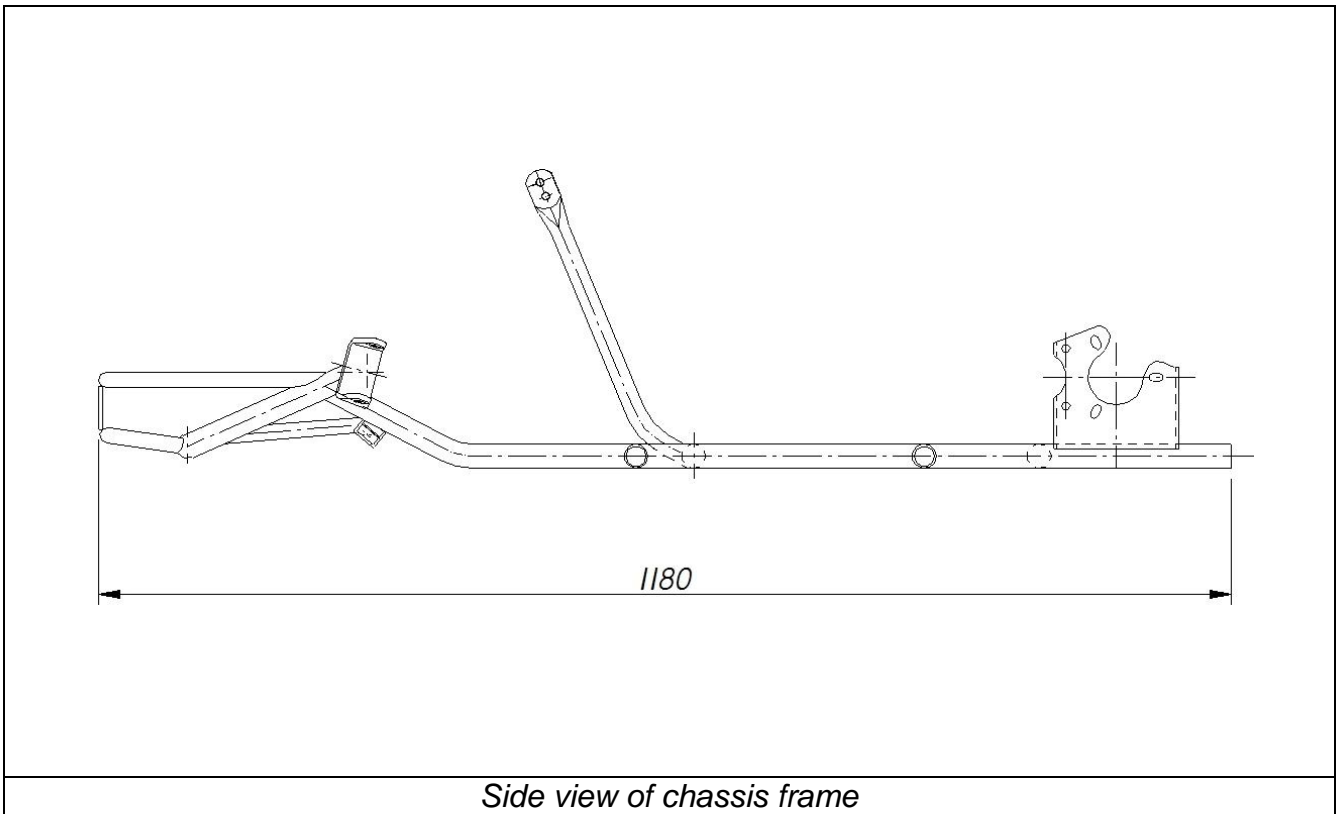
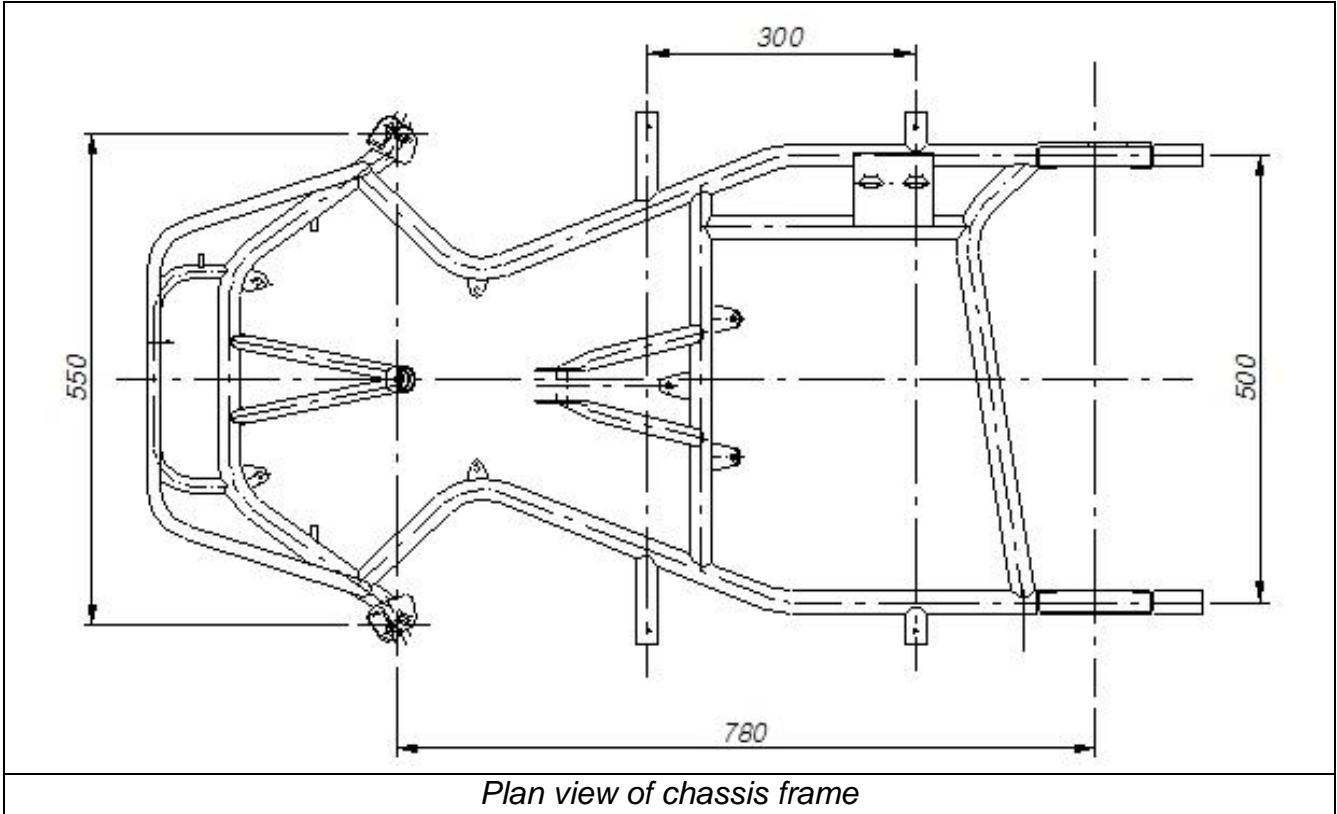
<b>SIGNATURE AND STAMP OF THE MSA</b>	
	Date: <b>11 March 2016</b>  Signed by: <b>Joe Hickerton</b>  Position: <b>MSA Technical Administrator</b>

### CHASSIS

<i>Manufacturer</i>	<b>BIREL ART S.R.L.</b>
<i>Make</i>	<b>FULLERTON</b>
<i>Model</i>	<b>TF Xenon</b>



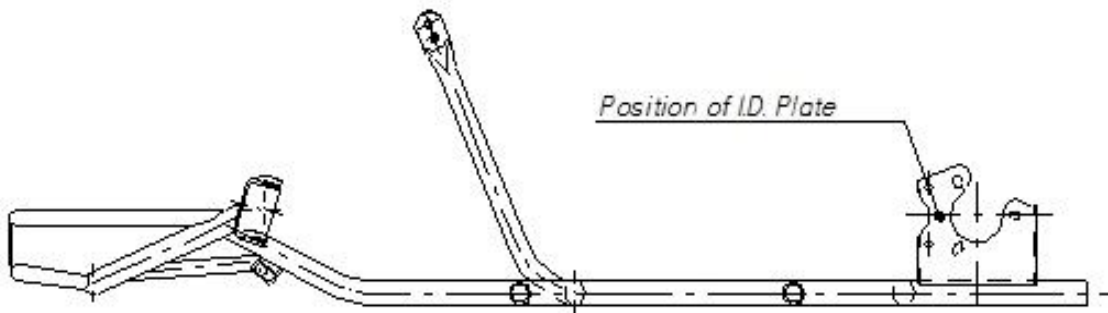
### TECHNICAL DRAWINGS OF FRAME



### DETAILS OF IDENTITY PLATE



*Photograph of I.D. plate*



*Photograph / drawing of position of I.D. plate*

## DIMENSIONS OF FRAME

		<i>Measurement</i>	<i>Tolerance</i>
<b>A:</b>	Total Length	<b>1235 mm</b>	+/- 10mm
<b>B:</b>	Width at Front Axle	<b>535 mm</b>	+/- 10mm
<b>C:</b>	Width at Rear Axle	<b>505 mm</b>	+/- 10mm
<b>D:</b>	Wheelbase	<b>780 mm</b>	+/- 10mm
<b>E:</b>	Number of Bends	<b>7</b>	-
<b>F:</b>	Number of Tubes with Ø over 21mm	<b>6</b>	(max. 6)
<b>G:</b>	Tube Diameter	<b>25.3 mm</b>	+/- 0.3mm
<b>H:</b>	Tube Wall Thickness	<b>1.5 mm</b>	+/- 0.2mm
<b>I:</b>	Tube Material	<b>Steel</b>	mandatory
<b>J:</b>	Number of Bearings	<b>2</b>	mandatory
<b>K:</b>	Outside Ø of Axle	<b>25 mm</b>	+/- 0.2mm
<b>L:</b>	Axle Wall Thickness	<b>Solid mm</b>	+/- 0.2mm

## COMPLIMENTARY INFORMATION – CHASSIS

Alternative rear axles:

<b>K:</b>	Outside Ø of Axle	<b>25 mm</b>	+/- 0.2mm
<b>L:</b>	Axle Wall Thickness	<b>5.0 mm</b>	+/- 0.2mm

<b>K:</b>	Outside Ø of Axle	<b>30 mm</b>	+/- 0.2mm
<b>L:</b>	Axle Wall Thickness	<b>2.5 mm</b>	+/- 0.2mm

### **BRAKE SYSTEM**

<i>Manufacturer</i>	BIREL ART S.R.L.
<i>Make</i>	FREE-LINE
<i>Model</i>	Mechanical



*Photograph of complete brake system*

### **TECHNICAL DETAILS**

		<i>Measurement</i>	<i>Tolerance</i>
<b>A:</b>	Actuation	<b>Mechanical</b>	-
<b>B:</b>	Number of Calipers	<b>1</b>	-
<b>C:</b>	Caliper Material	<b>Aluminium</b>	-
<b>D:</b>	Number of Pads	<b>2</b>	<i>per Caliper</i>
<b>E:</b>	Thickness of Disc	<b>5 mm</b>	+/- 1mm
<b>F:</b>	External Ø of Disc	<b>166 mm</b>	+/- 1.5mm
<b>G:</b>	Internal Ø of Disc	<b>110 mm (max.)</b>	+/- 1.5mm
<b>H:</b>	Drilled Disc?	<b>Yes</b>	-
<b>I:</b>	Grooved Disc?	<b>No</b>	-
<b>J:</b>	Number of Mounting Lugs	<b>3</b>	-
<b>K:</b>	Dual Linkage?	<b>Yes</b>	mandatory



*Photograph of brake caliper*



*Photograph of brake disc*

## COMPLIMENTARY INFORMATION – BRAKE

Alternative brake disc:

<b>E:</b>	Thickness of Disc	<b>3 mm</b>	+/- 1mm
<b>F:</b>	External Ø of Disc	<b>166 mm</b>	+/- 1.5mm
<b>G:</b>	Internal Ø of Disc	<b>110 mm (max.)</b>	+/- 1.5mm
<b>H:</b>	Drilled Disc?	<b>Yes</b>	-
<b>I:</b>	Grooved Disc?	<b>No</b>	-
<b>J:</b>	Number of Mounting Lugs	<b>3</b>	-