


## REGISTRATION OF CHASSIS & BRAKE

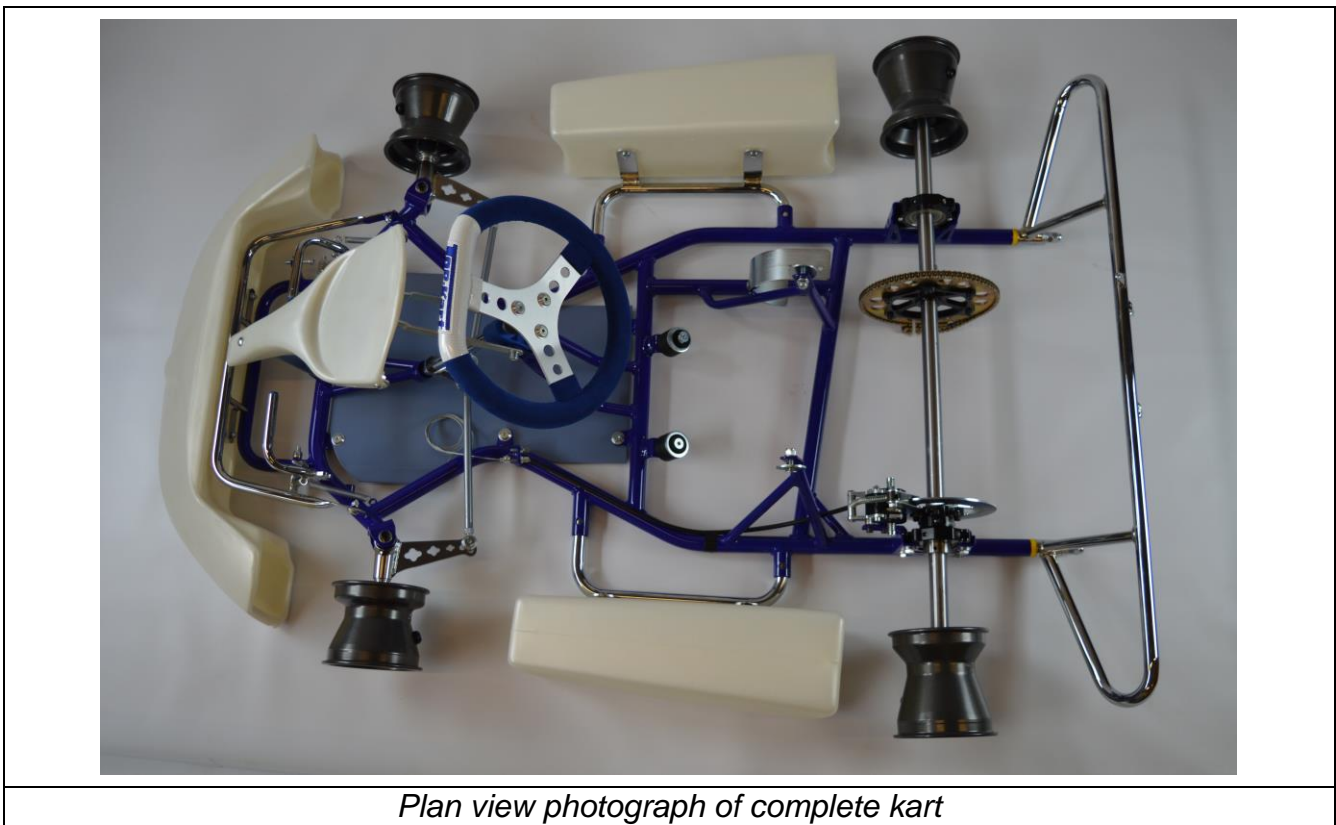
<i>Category</i>	<b>BAMBINO</b>
<i>Valid From</i>	28 April 2017
<i>Number of Pages</i>	7

*This Homologation Form reproduces descriptions, illustrations and dimensions of the chassis at the moment of the MSA homologation. The Manufacturer may modify them, but only within the limits set by the MSA regulations in force and with the written agreement of the MSA.*

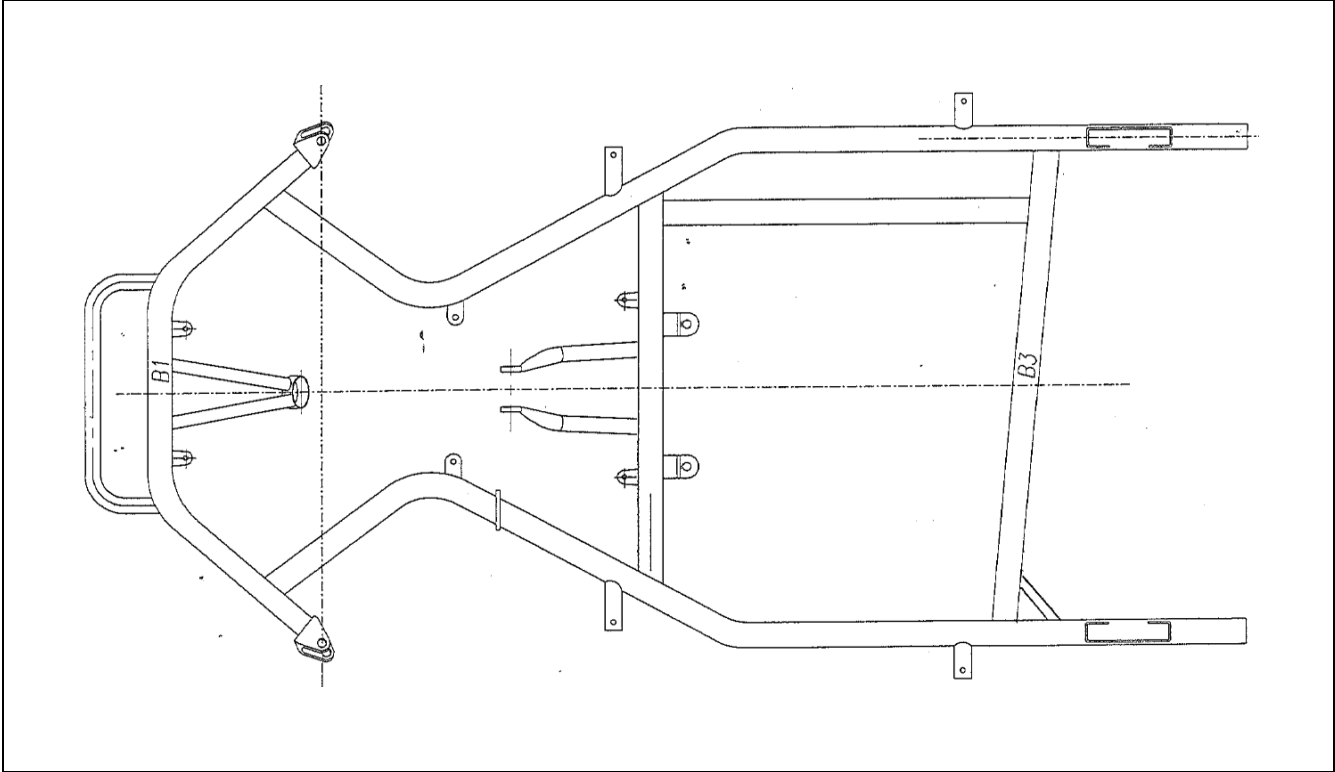
<b>SIGNATURE AND STAMP OF THE MSA</b>	
	Date: <b>28 April 2017</b>  Signed by: <b>Joe Hickerton</b>  Position: <b>MSA Technical Manager</b>

### CHASSIS

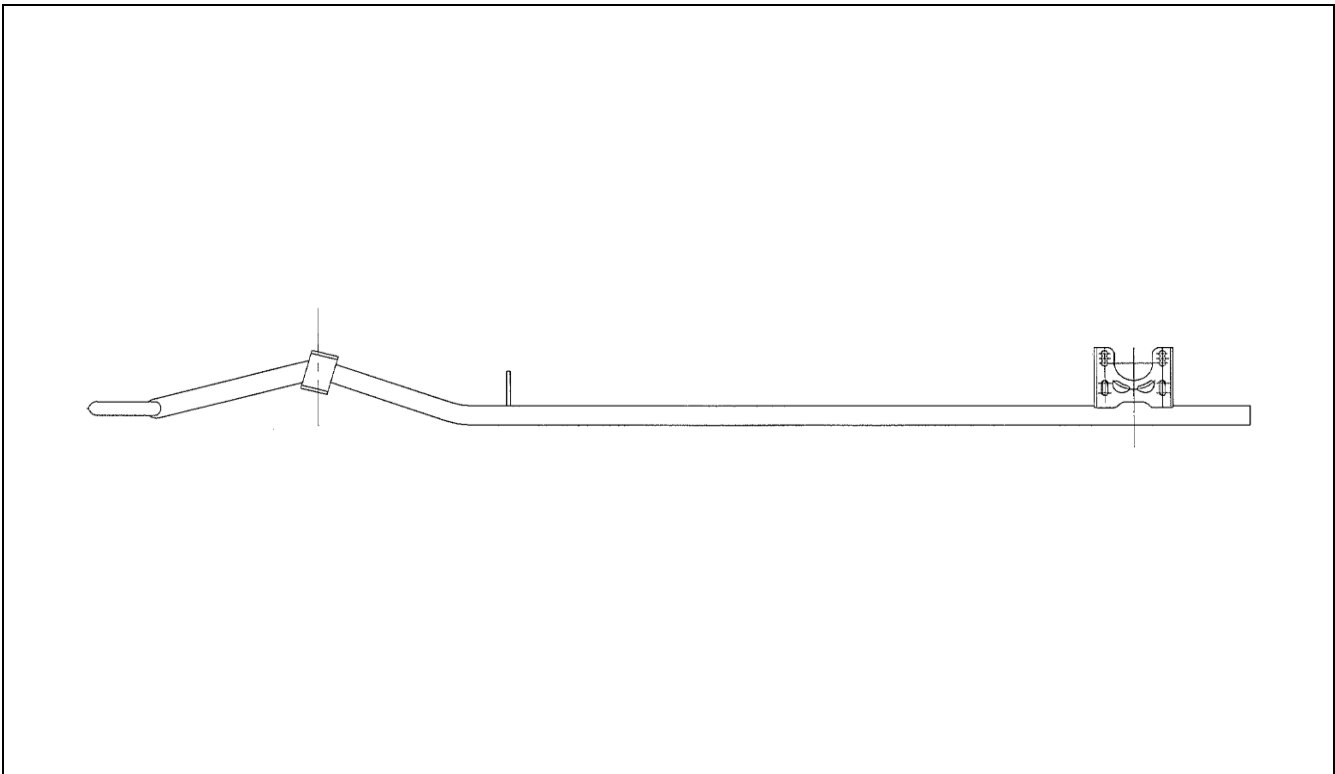
<i>Manufacturer</i>	TOP Kart
<i>Make</i>	TOP Kart
<i>Model</i>	Bambino



**TECHNICAL DRAWINGS OF FRAME**



*Plan view of chassis frame*

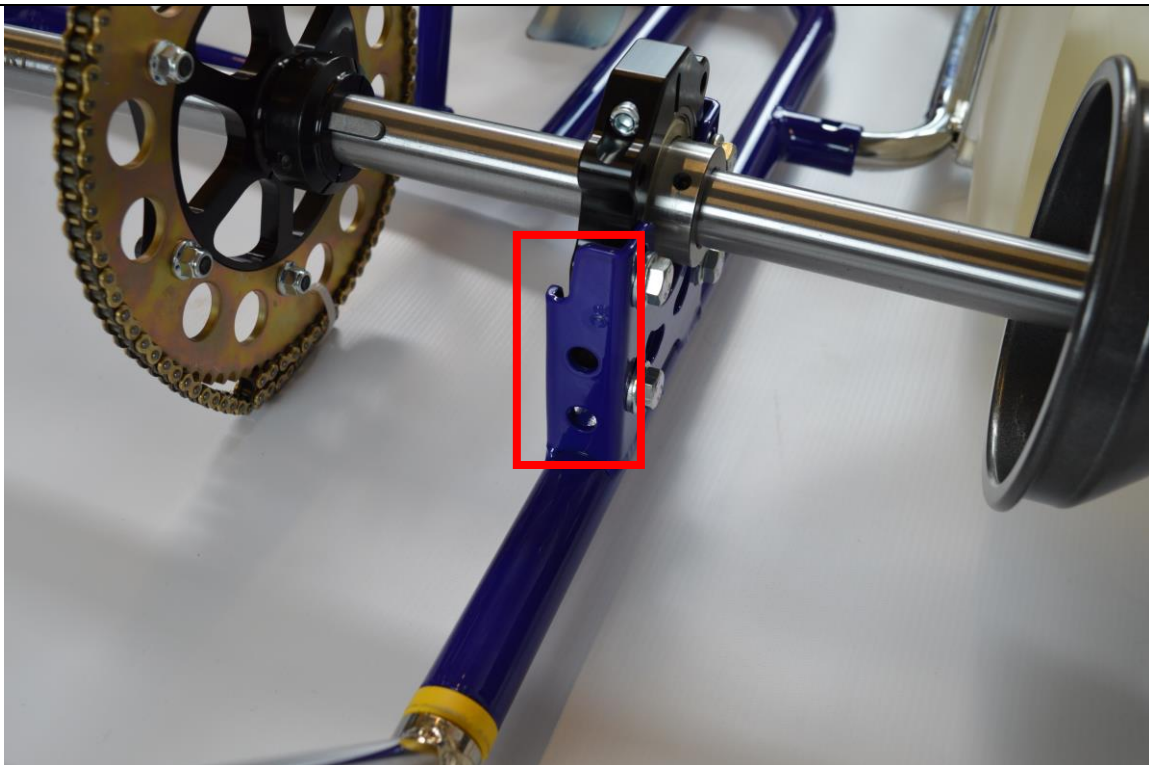


*Side view of chassis frame*

## DETAILS OF IDENTITY PLATE



*Photograph of I.D. plate*



*Photograph of position of I.D. plate*

## DIMENSIONS OF FRAME

		<i>Measurement</i>	<i>Tolerance</i>
<b>A:</b>	Total Length	<b>1085 mm</b>	+/- 10mm
<b>B:</b>	Width at Front Axle	<b>588 mm</b>	+/- 10mm
<b>C:</b>	Width at Rear Axle	<b>520 mm</b>	+/- 10mm
<b>D:</b>	Wheelbase	<b>773 mm</b>	+/- 10mm
<b>E:</b>	Number of Bends	<b>6</b>	-
<b>F:</b>	Number of Tubes with Ø over 21mm	<b>6</b>	(max. 6)
<b>G:</b>	Tube Diameter	<b>25 mm</b>	+/- 0.3mm
<b>H:</b>	Tube Wall Thickness	<b>2 mm</b>	+/- 0.2mm
<b>I:</b>	Tube Material	<b>Steel</b>	mandatory
<b>J:</b>	Number of Bearings	<b>2</b>	mandatory
<b>K:</b>	Outside Ø of Axle	<b>25 mm</b>	+/- 0.2mm
<b>L:</b>	Axle Wall Thickness	<b>3 mm</b>	+/- 0.2mm

## COMPLIMENTARY INFORMATION – CHASSIS

Alternative rear axles:

<b>K:</b>	Outside Ø of Axle	<b>25 mm</b>	+/- 0.2mm
<b>L:</b>	Axle Wall Thickness	<b>Solid mm</b>	+/- 0.2mm

<b>K:</b>	Outside Ø of Axle	<b>25 mm</b>	+/- 0.2mm
<b>L:</b>	Axle Wall Thickness	<b>5 mm</b>	+/- 0.2mm

MSA Registered RPS *MSA/DMSB-002-RPS* may be used.

## BRAKE SYSTEM

<i>Manufacturer</i>	TOP Kart
<i>Make</i>	TOP Kart
<i>Model</i>	Bambino



*Photograph of complete brake system*

## TECHNICAL DETAILS

		<i>Measurement</i>	<i>Tolerance</i>
<b>A:</b>	Actuation	<b>Mechanical</b>	-
<b>B:</b>	Number of Calipers	<b>1</b>	-
<b>C:</b>	Caliper Material	<b>Aluminium</b>	-
<b>D:</b>	Number of Pads	<b>2</b>	<i>per Caliper</i>
<b>E:</b>	Thickness of Disc	<b>2.5 mm</b>	+/- 1mm
<b>F:</b>	External Ø of Disc	<b>165 mm</b>	+/- 1.5mm
<b>G:</b>	Internal Ø of Disc	<b>55 mm (max.)</b>	+/- 1.5mm
<b>H:</b>	Drilled Disc?	<b>No</b>	-
<b>I:</b>	Grooved Disc?	<b>No</b>	-
<b>J:</b>	Number of Mounting Lugs	<b>6</b>	-
<b>K:</b>	Dual Linkage?	<b>Yes</b>	mandatory



*Photograph of brake caliper*



*Photograph of brake disc*

## COMPLIMENTARY INFORMATION – BRAKE

Insert any additional information that may be required here