



Red and/or  
black dot entries:


## HISTORIC TECHNICAL PASSPORT – VALID IN: & &

**This Technical Passport is not a certificate of authenticity, nor does it in any way verify the history of the car or its constituent parts.**  
 The FIA merely certifies that the required information gathered and confirmed by the ASN at the date of the inspection, is sufficient for the car to be eligible to compete in FIA-sanctioned competitions for historic vehicles.  
 Neither the FIA nor the ASN certifies or takes responsibility for the accuracy of the items shown below as "represented" as those were provided by the Applicant (as detailed in Page 24), on behalf of the owner, based upon his best available knowledge and are not verifiable by the ASN and/or the FIA.

**Issuing ASN:**  
**Motorsport**

**Form Number: GB**

**Category: Single-Seater Racing Car**

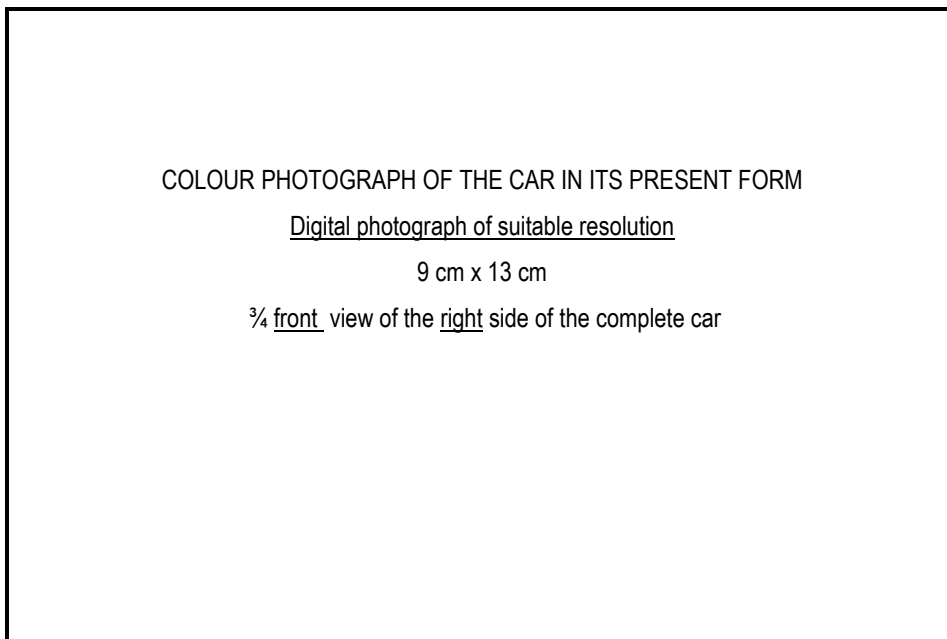
**Period: A - to**

**Valid to 31.12.**

**FIA Class:**

*The original of this document was filled in by the Applicant and verified by the ASN in accordance with Appendix "K" to the FIA International Sporting Code, for cars taking part in historic competitions. This certified copy of the original form remains the property of the FIA and, if replaced with a new form, must be returned to the issuing ASN which holds the original. During the whole competition the car must conform to all the declarations of this HTP.*

<b>Make represented:</b>	<b>Model represented:</b>
<u>Year of specification:</u>	<u>FIA identity No. :</u>
<u>Engine type:</u>	<u>Engine capacity:</u> cm <sup>3</sup> <u>corrected:</u> cm <sup>3</sup>
<u>FIA homologation form number (if applicable):</u>	<u>Number of relevant valid pages of homologation form:</u>



Each page of this form, as well as the edge of each photograph, must bear the stamp of the issuing ASN

We, the Motorsport UK, have checked the information given on this form up to and including page 24 and confirm that to the best of our reasonable knowledge and belief as of today, the car complies with the period specification of the make and model represented.

Date:

Signature and stamp:

Name and status of signatory:



**JOHN RYAN, Technical Director**  
 For and on Behalf of the  
 ROYAL AUTOMOBILE CLUB  
 MOTOR SPORTS ASSOCIATION

COLOUR PHOTOGRAPH OF THE CAR IN ITS PRESENT FORM

Digital photograph of suitable resolution

9 cm x 13 cm

$\frac{3}{4}$  rear view of the left side of the complete car

**In case of homologated car only:** if extensions of the original homologation form are used (in accordance with Appendix K), their numbers must be entered below:

**In case of homologated car** bodywork may only be altered on **Competition Grand Touring Cars (GTS) before Period G and on Competition Touring and GTS cars from Period G onwards according to Appendix J of the period.** For the avoidance of any doubt there must be attached to this document evidence of Period Specification of changed bodywork according to Appendix K, over stamped by the issuing ASN as authorisation.

**For non-homologated cars and homologated cars with non-standard bodywork,** a period picture of the model has to be shown below.

PERIOD IMAGE OF BODYWORK OF ORIGINAL CAR

Homologated cars.  
For others also display a picture from period, especially as it can authenticate the car livery.

9 cm x 13 cm

Period image. Event: .....; date of the event:.....

**IMPORTANT:** If this model has *no International History*, tick this box:

**1 – CHASSIS, SUSPENSION****1.1 CHASSIS FRAME**

[a]	Is the car fitted with a chassis to the period specifications? <span style="float: right;">yes <input type="checkbox"/> no <input type="checkbox"/></span>
[b]	Clarification:
[c]	Construction (girder, tubular, monocoque, etc.):
[d]	Materials:

**1.2 FRONT SUSPENSION**

[a]	Is the suspension as per the period specifications and dimensions? <span style="float: right;">yes <input type="checkbox"/> no <input type="checkbox"/></span>
[b]	Clarification:
[c]	Type of suspension (rigid axle, wishbones, de Dion, etc.):
[d]	Type of springs (coil, leaf, torsion bar, etc.):
[e]	Type of dampers (friction, lever, telescopic, etc.):
[f]	Are the dampers adjustable? <span style="float: right;">yes <input type="checkbox"/> no <input type="checkbox"/></span>
[g]	If yes to [f], state the number of adjusters per damper:
[h]	Material of the dampers: Steel <input type="checkbox"/> Aluminium <input type="checkbox"/>
[i1]	Is the geometry of suspension adjustable? <span style="float: right;">yes <input type="checkbox"/> no <input type="checkbox"/></span>
[i2]	Is the height of suspension adjustable? <span style="float: right;">yes <input type="checkbox"/> no <input type="checkbox"/></span>
[j]	If yes to [i1] and/or [i2], specify the method (Uniball joints, different mountings, etc.): i1: i2:
[k]	Is it fitted with an anti-roll bar? <span style="float: right;">yes <input type="checkbox"/> no <input type="checkbox"/></span>
[l]	If yes, is this bar adjustable? <span style="float: right;">yes <input type="checkbox"/> no <input type="checkbox"/></span>
[m]	Are sensors fitted? <span style="float: right;">yes <input type="checkbox"/> no <input type="checkbox"/></span>
[n]	If yes, list the sensors:

COLOUR PHOTOGRAPH OF THE FRONT SUSPENSION

Digital photograph of suitable resolution

Side view, wheel removed, the braking system and suspension must be clearly visible

In case of drum brakes the drum has to be removed and seen on the picture

9 cm x 13 cm

**Taking the two pictures into account, all elements of the suspension assembly must be visible.**

COLOUR PHOTOGRAPH OF THE FRONT SUSPENSION

Digital photograph of suitable resolution

behind the braking system in longitudinal axis of the car

9 cm x 13 cm



### 1.3 REAR SUSPENSION

[a]	Are the suspension and dimensions as per the period specifications?	yes <input type="checkbox"/>	no <input type="checkbox"/>
[b]	Clarification:		
[c]	Type of suspension (rigid axle, wishbones, de Dion, etc.):		
[d]	Type of springs (coil, leaf, torsion bar, etc.):		
[e]	Type of dampers (friction, lever, telescopic, etc.):		
[f]	Are the dampers adjustable?	yes <input type="checkbox"/>	no <input type="checkbox"/>
[g]	If yes to [f], state the number of adjusters per damper:		
[h]	Material of the dampers: Steel <input type="checkbox"/> Aluminium <input type="checkbox"/>		
[i1]	Is the geometry of suspension adjustable?	yes <input type="checkbox"/>	no <input type="checkbox"/>
[i2]	Is the height of suspension adjustable?	yes <input type="checkbox"/>	no <input type="checkbox"/>
[j]	If yes to [i1] and/or [i2], specify the method (Uniball joints, different mountings, etc.): i1: i2:		
[k]	Is it fitted with an anti-roll bar?	yes <input type="checkbox"/>	no <input type="checkbox"/>
[l]	If yes, is this bar adjustable?	yes <input type="checkbox"/>	no <input type="checkbox"/>
[m]	Are sensors fitted?	yes <input type="checkbox"/>	no <input type="checkbox"/>
[n]	If yes, list the sensors:		

COLOUR PHOTOGRAPH OF THE REAR SUSPENSION

Digital photograph of suitable resolution

Side view, wheel removed, the braking system and suspension must be clearly visible

In case of drum brakes the drum has to be removed and seen on the picture

9 cm x 13 cm

**Taking the two pictures into account, all elements of the suspension assembly must be visible.**

COLOUR PHOTOGRAPH OF THE REAR SUSPENSION

Digital photograph of suitable resolution

behind the braking system in longitudinal axis of the car

9 cm x 13 cm

**2 – ENGINE****2.1 ENGINE**

[a]	Is the engine as per the period specifications for this chassis?	yes <input type="checkbox"/>	no <input type="checkbox"/>
[b]	Clarification:		
[c]	Is the position of the engine as per the period specifications?	yes <input type="checkbox"/>	no <input type="checkbox"/>
[d]	Clarification:		
[e]	Is the cylinder block cast using the period specification material and dimensions?	yes <input type="checkbox"/>	no <input type="checkbox"/>
	Specify material:		
[f]	Clarification:		
[g]	Is the cylinder head cast using the period specification material and dimensions?	yes <input type="checkbox"/>	no <input type="checkbox"/>
	Specify material:	Casting number:	
[h]	Clarification::		
[i]	Make:	Casting number of the block:	
[j]	Year of manufacture:	Operating method: Four-stroke cycle	
[k]	Number of cylinders:	Configuration (straight, V, etc.):	
[l]	Bore: original: mm	Stroke: original: mm	
	actual: mm	actual: mm	
[m]	Engine capacity: original: cm <sup>3</sup>	actual: cm <sup>3</sup>	
[n]	Number of intake ports:	Number of plugs per cylinder:	
	Number of exhaust ports:	Number of valves per cylinder:	
	Number of transportation port (in case of two stroke engines):		
	Number of rotors (in case of wankel/rotary engine):		
[o]	Are the valve sizes as per the period specification?	yes <input type="checkbox"/>	no <input type="checkbox"/>
[p]	Clarification:		
[q]	Are sensors fitted?	yes <input type="checkbox"/>	no <input type="checkbox"/>
[r]	If yes, list the sensors:		



## 2.2 IGNITION

[a]	Is the system as per the period specifications?	yes <input type="checkbox"/>	no <input type="checkbox"/>
[b]	Clarification:		
[c]	Type (magneto, breaker/coil, etc.):		
[d]	If the ignition is electronic, specify the make and principle:		
[e]	Are sensors fitted?	yes <input type="checkbox"/>	no <input type="checkbox"/>
[f]	If yes, list the sensors:		

## 2.3 FUEL FEED

[a]	Are the make, type and number of carburettors / injection as per the period specifications?	yes <input type="checkbox"/>	no <input type="checkbox"/>
[b]	Clarification:		
[c]	Carburettor: Number:	Make:	Type:      ø of venturi in mm:
[d]	Injection :	Make:	Type:
[e]	If an air restrictor is fitted, diameter of the restrictor:	mm	
[f]	If supercharged, is the supercharger as per the period specifications?	yes <input type="checkbox"/>	no <input type="checkbox"/>
[g]	Clarification:		
[h]	Supercharger: Make:	Type:	Number:
[i]	If an air cooler is fitted, is it as per the period specifications?	yes <input type="checkbox"/>	no <input type="checkbox"/>
[j]	Clarification:		
[k]	Are sensors fitted?	yes <input type="checkbox"/>	no <input type="checkbox"/>
[l]	If yes, list the sensors:		





## 2.4 FUEL SYSTEM

[a]	Is the fuel system as per the period specifications?	yes <input type="checkbox"/>	no <input type="checkbox"/>
[b]	Clarification:		
[c]	Type of fuel feed (gravity, mechanical pump, electric pump, etc.):		
[d]	Is a fuel cooler fitted	yes <input type="checkbox"/>	no <input type="checkbox"/>
[e]	Is the fuel tank as per the period specification location? Does it comply with Appendix K?	yes <input type="checkbox"/>	no <input type="checkbox"/>
[f]	Clarification:		
[g]	Are sensors fitted?	yes <input type="checkbox"/>	no <input type="checkbox"/>
[h]	If yes, list the sensors:		

## 2.5 LUBRICATION

[a]	Is the system as per the period specifications?	yes <input type="checkbox"/>	no <input type="checkbox"/>
[b]	Clarification:		
[c]	Type (wet sump, dry sump, etc.):		
[d]	Is an oil cooler fitted?	yes <input type="checkbox"/>	no <input type="checkbox"/>
[e]	If yes, is the cooler as per the period specifications?	yes <input type="checkbox"/>	no <input type="checkbox"/>
[f]	If no, specify and justify the changes in relation to the period specification:		
[g]	Is a main circuit oil filter fitted (pre-war cars only)?	yes <input type="checkbox"/>	no <input type="checkbox"/>
[h]	Are sensors fitted?	yes <input type="checkbox"/>	no <input type="checkbox"/>
[i]	If yes, list the sensors:		

COLOUR PHOTOGRAPH OF THE ENGINE showing all the engine bay  
from the left side

Digital photograph of suitable resolution

9 cm x 13 cm

COLOUR PHOTOGRAPH OF THE ENGINE showing all the engine bay  
from the right side

Digital photograph of suitable resolution

9 cm x 13 cm



### 3 – TRANSMISSION

#### 3.1 GEARBOX

[a]	Is the gearbox as per the period specifications?	yes <input type="checkbox"/>	no <input type="checkbox"/>
[b]	Clarification:		
[c]	Make:	Type:	
[d]	Number of forward gears:	reverse gear:	yes <input type="checkbox"/> no <input type="checkbox"/>
[e]	Number of teeth (for homologated cars only):		
	1st gear:	2nd gear:	3rd gear:
		4th gear:	5th gear:
	Constant:	alternatives listed in section 9 <input type="checkbox"/>	
			6th gear:
[f]	Is an oil cooler fitted?	yes <input type="checkbox"/>	no <input type="checkbox"/>
[g]	If yes, is it as per the period specifications?	yes <input type="checkbox"/>	no <input type="checkbox"/>
[h]	Are sensors fitted?	yes <input type="checkbox"/>	no <input type="checkbox"/>
[i]	If yes, list the sensors:		

#### 3.2 FINAL DRIVE

[a]	Driven wheels:	Front: <input type="checkbox"/>	Rear: <input type="checkbox"/>
[b]	Drive method (shaft, chain, etc.):		
[c]	Is the final drive ratio as per the period specifications?	yes <input type="checkbox"/>	no <input type="checkbox"/>
[d]	Specify the number of teeth used:		
[e]	Specify the other number of teeth available as period specifications:		
	-	-	-
[f]	Is the differential a limited slip differential?	yes <input type="checkbox"/>	no <input type="checkbox"/>
[g]	If yes:	Make:	Model: System:
[h]	Is an oil cooler fitted?	yes <input type="checkbox"/>	no <input type="checkbox"/>
[i]	If yes, is it as per the period specifications?	yes <input type="checkbox"/>	no <input type="checkbox"/>
[j]	Are sensors fitted?	yes <input type="checkbox"/>	no <input type="checkbox"/>
[k]	If yes, list the sensors:		

**4 – BRAKES AND STEERING****4.1 BRAKES**

[a]	Is the braking system as per the period specifications? <span style="float: right;">yes <input type="checkbox"/> no <input type="checkbox"/></span>						
[b]	Clarification:						
[c]	Actuation (cable, rod, hydraulic, etc.):		Front:		Rear:	<u>Other option:</u>	
[d]	Is the braking system assisted?		yes <input type="checkbox"/>		no <input type="checkbox"/>	<u>Other option:</u>	
[e]	Specify the system:						
[f]	Make:		Front:		Rear:		
[g]	<u>If drum brakes:</u>	Drum diameter	Front: mm		Rear: mm	Other: mm	
		Shoe width	Front: mm		Rear: mm	Other: mm	
[h]	<u>If disc brakes:</u>	Disc diameter	Front: mm		Rear: mm		
		Max. disc thickness	Front: mm		Rear: mm		
		Ventilated disc:	Front: yes <input type="checkbox"/> no <input type="checkbox"/>		Rear: yes <input type="checkbox"/> no <input type="checkbox"/>		
		Callipers:	Material at front:		Number of pistons per front calliper:		
			Material at rear:		Number of pistons per rear calliper:		
[i]	Are sensors fitted? <span style="float: right;">yes <input type="checkbox"/> no <input type="checkbox"/></span>						
[j]	If yes, list the sensors:						

**4.2 STEERING**

[a]	Is the steering as per the period specifications? <span style="float: right;">yes <input type="checkbox"/> no <input type="checkbox"/></span>						
[b]	Clarification:						
[c]	Type (rack and pinion, worm and roller, etc.):						
[d]	Is the steering assisted? <span style="float: right;">yes <input type="checkbox"/> no <input type="checkbox"/></span>						
[e]	Specify the system:						
[f]	Are sensors fitted? <span style="float: right;">yes <input type="checkbox"/> no <input type="checkbox"/></span>						
[g]	If yes, list the sensors:						

**5 – WHEELS****5.1 WHEELS**

[a]	Are the wheels as per the period specifications?	yes <input type="checkbox"/>	no <input type="checkbox"/>
[b]	Clarification:		
[c]	Are the wheels in multiple parts?	yes <input type="checkbox"/>	no <input type="checkbox"/>
[d]	Are the diameter and the width of the wheels as per the period specification?	yes <input type="checkbox"/>	no <input type="checkbox"/>
[e]	Clarification:		
[f]	Type and material (wire, pressed steel, alu alloy, magnesium alloy, etc.): Front: _____ Rear: _____		
[g]	Diameters / widths of rims at the <u>front</u> (specify the units: inches or millimetres):		
	1. Diameter: " Width: "	2. Diameter: " Width: "	
	3. Diameter: " Width: "	4. Diameter: " Width: "	
[h]	Diameters / widths of rims at the <u>rear</u> (specify the units: inches or millimetres):		
	1. Diameter: " Width: "	2. Diameter: " Width: "	
	3. Diameter: " Width: "	4. Diameter: " Width: "	
[i]	Are sensors fitted?	yes <input type="checkbox"/>	no <input type="checkbox"/>
[j]	If yes, list the sensors:		

**6 – BODYWORK, LIGHTING****6.1 BODY**

[a]	Is the body to the original specification?	yes <input type="checkbox"/>	no <input type="checkbox"/>
[b]	If no, is the body as per the period specifications?	yes <input type="checkbox"/>	no <input type="checkbox"/>
[c]	Clarification:		
[d]	Is all the material of the body as per the period specifications?	yes <input type="checkbox"/>	no <input type="checkbox"/>
[e]	Main material: If other material used specify material and body parts:		
[f]	Type (single-seater, coupé, etc.):		
[g]	Number of seats:		
[h]	Number of doors:		

**6.2 AERODYNAMIC DEVICES (cars built after 1965 only)**

[a]	Are these devices as per the period specifications?	yes <input type="checkbox"/>	no <input type="checkbox"/>
[b]	Clarification:		
[c]	Measurements see extension "AERODYNAMIC DEVICES (MEASUREMENTS)"		



6.3 LIGHTING

[a]	Is the lighting as per the period specifications?	yes <input type="checkbox"/>	no <input type="checkbox"/>
[b]	If no, specify and justify the changes in relation to the period specification:		
[c]	Is generator fitted?	yes <input type="checkbox"/>	no <input type="checkbox"/>
[d]	If yes, type:    dynamo <input type="checkbox"/> alternator <input type="checkbox"/> other, specify and justify:		

7 – DIMENSIONS

7.1 DIMENSIONS

[a]	Wheelbase:	left:	mm	right:	mm
[b]	<u>Only for homologated cars from Period G2 onwards, body width at centre line of axles:</u>				
	Original front:	mm		Current front:	mm
	Original rear:	mm		Current rear:	mm
[c]	<u>For all other cases, track (track measured between the centres of the tyre treads):</u>				
	Original front:	mm		Current front:	mm
	Original rear:	mm		Current rear:	mm
[d]	Minimum weight:	kg			
[e]	Clarification :				

8 – DRAWINGS AND/OR PICTURES

If necessary, drawings and/or pictures of the aerodynamic devices, suspension, etc

9 – ADDITIONAL PIECES OF INFORMATION

If necessary, list of alternatives (gearbox ratios, etc)



## 10 – EXTENSION – MANDATORY PHOTOS

COLOUR PHOTOGRAPH OF THE CAR IN ITS PRESENT FORM

Digital photograph of suitable resolution

9 cm x 13 cm

Front view of the the complete car

COLOUR PHOTOGRAPH OF THE CAR IN ITS PRESENT FORM

Digital photograph of suitable resolution

9 cm x 13 cm

Rear view of the complete car



COLOUR PHOTOGRAPH OF THE CAR IN ITS PRESENT FORM

Digital photograph of suitable resolution

9 cm x 13 cm

lateral view of the complete car

COLOUR PHOTOGRAPH OF THE DASHBOARD

Digital photograph of suitable resolution

9 cm x 13 cm





COLOUR PHOTOGRAPH OF THE COMPLETE BOOT

Digital photograph of suitable resolution

9 cm x 13 cm

COLOUR PHOTOGRAPH OF THE UNDER FLOOR

Digital photograph of suitable resolution

9 cm x 13 cm



COLOUR PHOTOGRAPH OF THE GEAR BOX

Digital photograph of suitable resolution

9 cm x 13 cm

COLOUR PHOTOGRAPH OF THE FINAL DRIVE

Digital photograph of suitable resolution

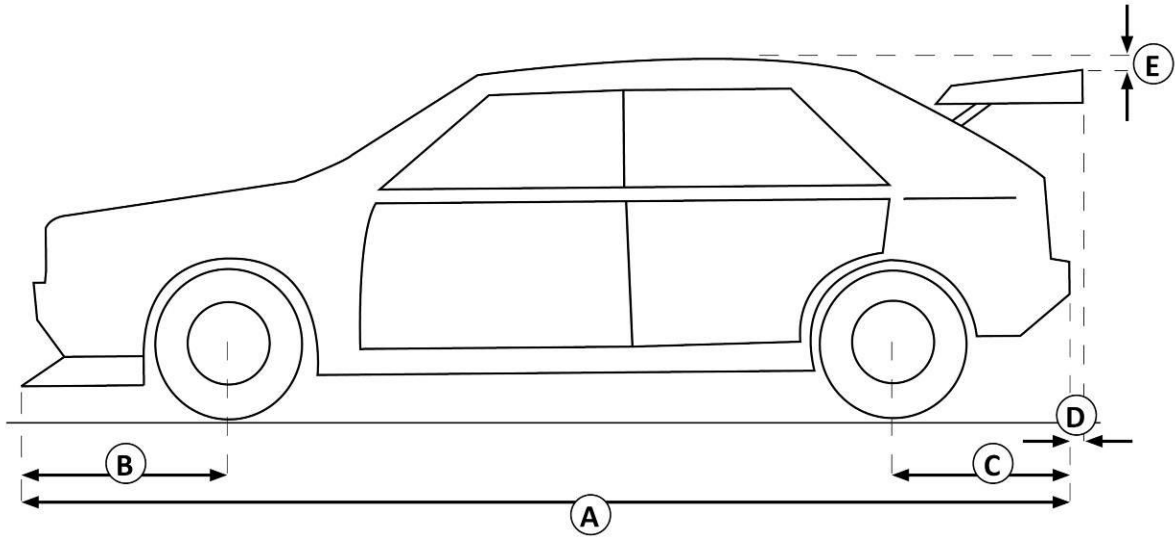
9 cm x 13 cm



## 11 – DOCUMENTARY REFERENCES

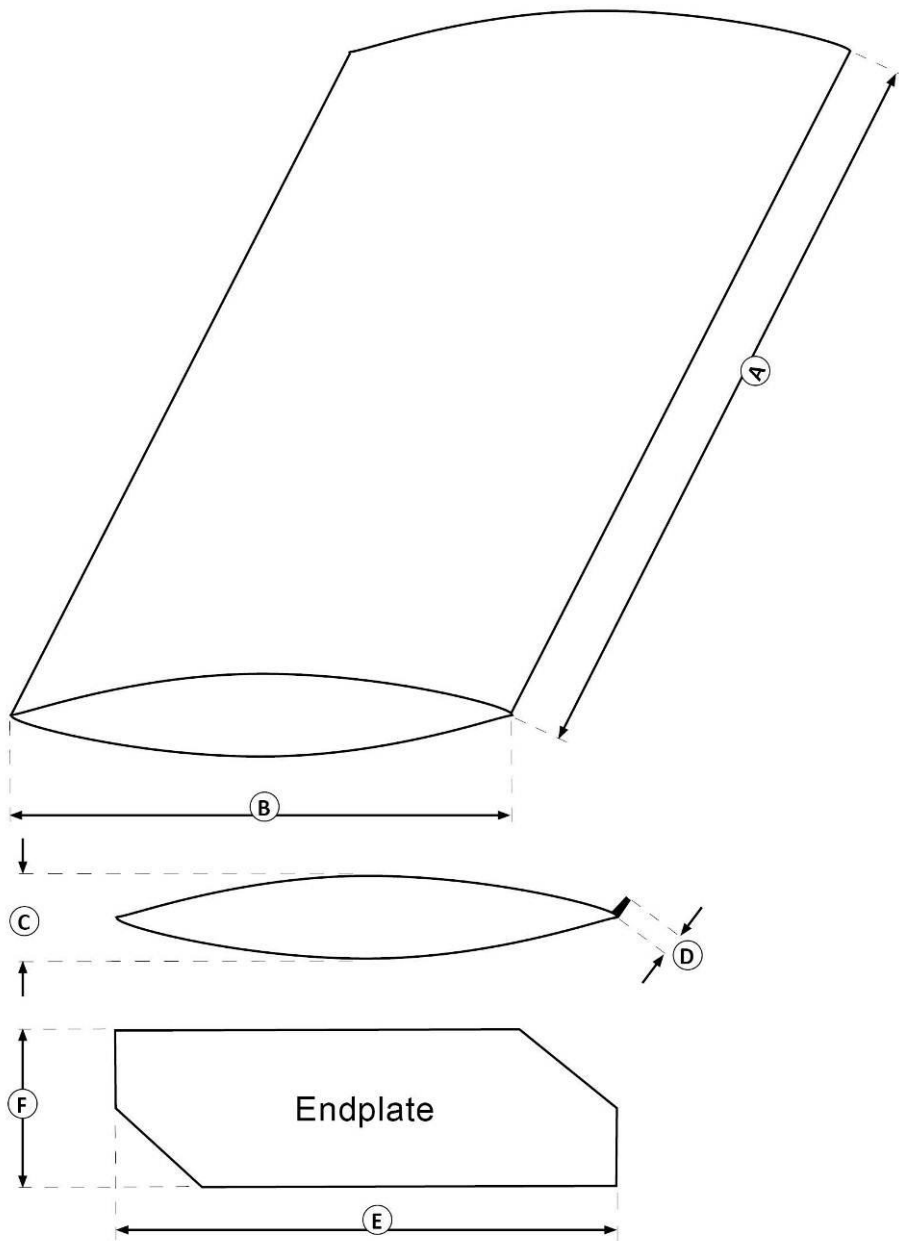
Draw up a list of the technical and descriptive references to the car found in documents (books, periodicals, etc.) contemporary with its construction.

12 – EXTENSION – AERODYNAMIC DEVICES (MEASUREMENTS)



DIMENSIONS (TOLERANCE FOR ALL DIMENSIONS: +/-1%)

[A]	mm
[B]	mm
[C]	mm
[D]	mm
[E]	mm



NUMBER OF WINGS:

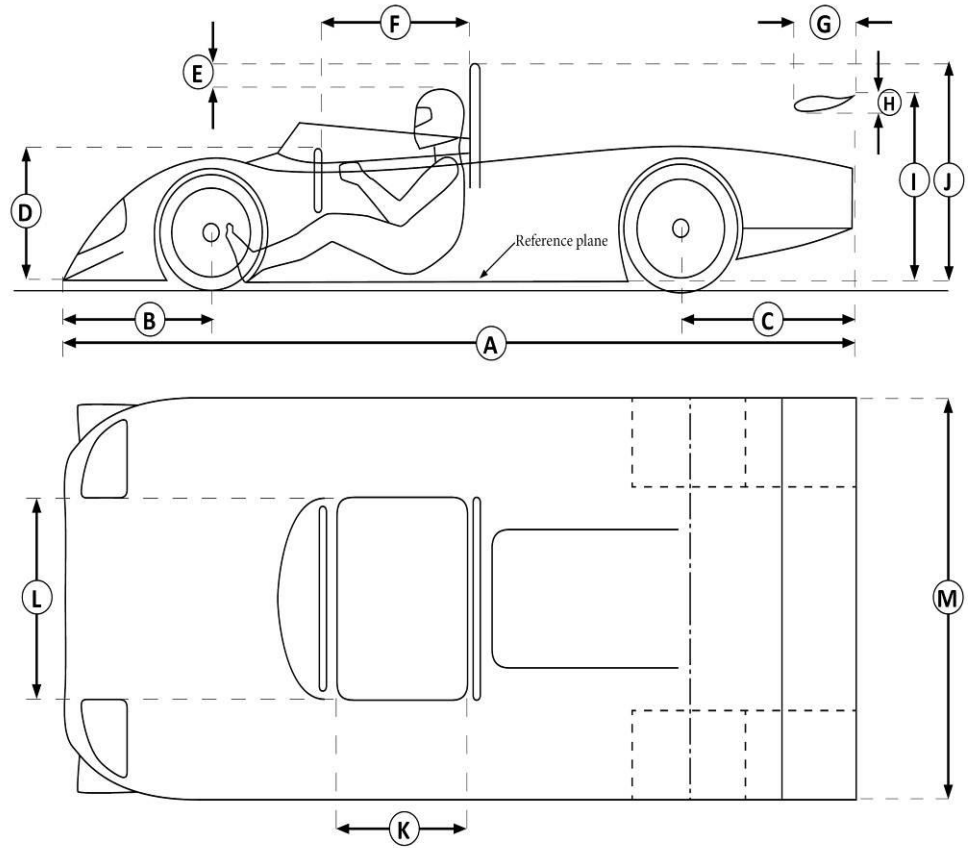
DIMENSIONS (TOLERANCE FOR ALL DIMENSIONS: +/-1%)

WING 1		WING 2		WING 3		WING 4	
[A]	mm	[A]	mm	[A]	mm	[A]	mm
[B]	mm	[B]	mm	[B]	mm	[B]	mm
[C]	mm	[C]	mm	[C]	mm	[C]	mm
[D]	mm	[D]	mm	[D]	mm	[D]	mm
[E]	mm	[E]	mm	[E]	mm	[E]	mm
[F]	mm	[F]	mm	[F]	mm	[F]	mm

**DIMENSIONS**

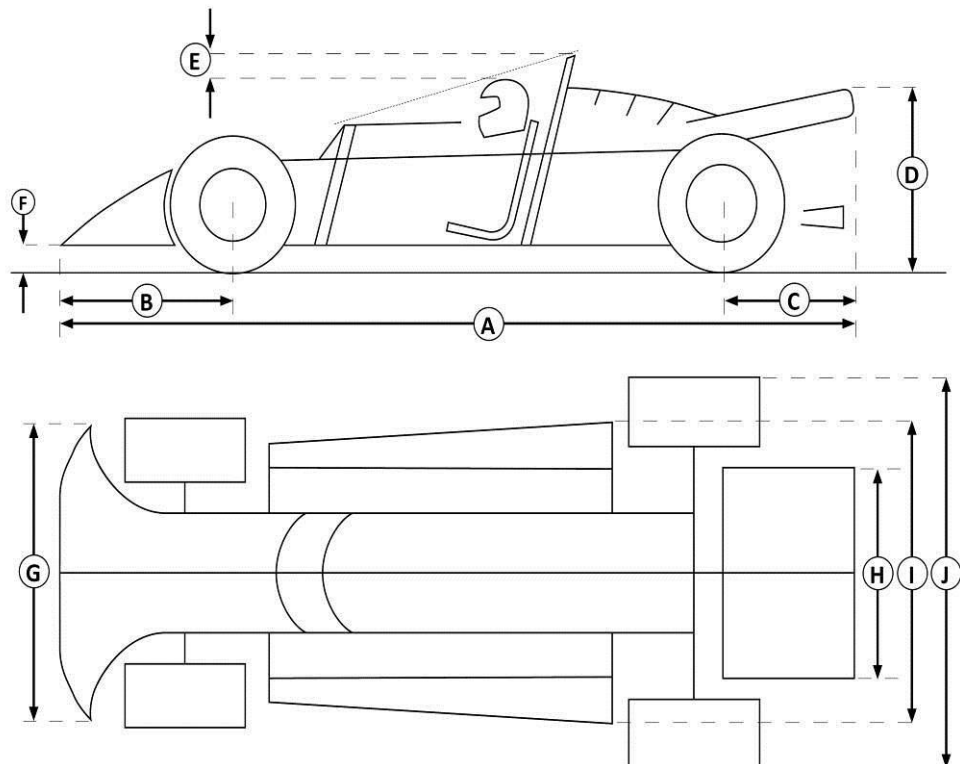
(TOLERANCE FOR ALL DIMENSIONS: +/-1%)

[A]	mm
[B]	mm
[C]	mm
[D]	mm
[E]	50 mm min.
[F]	mm
[G]	mm
[H]	mm
[I]	mm
[J]	mm
[K]	mm
[L]	mm
[M]	mm


**DIMENSIONS**

(TOLERANCE FOR ALL DIMENSIONS: +/-1%)

[A]	mm
[B]	mm
[C]	mm
[D]	mm max.
[E]	50 mm min.
[F]	mm min.
[G]	mm
[H]	mm
[I]	mm
[J]	mm





**13 – EXTENSION – ROLL OVER PROTECTION SYSTEM – PART 1**

**1.1 ROLL OVER PROTECTION SYSTEM**

[a]	System in accordance with: <b>Period Specification (App J)[non homol. cars only]</b>
-----	--

**1.2 FIA HOMOLOGATED SYSTEM**

[a]	If on <u>FIA homologation form</u> : Name of manufacturer:
	Homologation number of the form: Number of the homologation extension:

*N.B.: A copy of the extension must be attached to the HTP.*

**1.3 ASN CERTIFIED SYSTEM**

[a]	If <u>certified by an ASN</u> : Name of the ASN:
	Certificate / Test report number:

*N.B.: A copy of the certificate must be attached to the HTP.*

**1.4 APPENDIX K SYSTEM (SELF MADE)**

[a]	Main/Lateral bar	Front bar	Diagonals	Other struts	Cross braces
Outer diameter (mm)					
Wall thickness (mm)					

[b]	Material specification:
[c]	Drawing numbers according to App. K - App. VI (including the basic drawings and drawings of all options used):

**1.5 PERIOD SPECIFICATION SYSTEM**

[a]	Main/Lateral bar	Front bar	Diagonals	Other struts	Cross braces
Outer diameter (mm)					
Wall thickness (mm)					

[b]	Material specification:
[c]	Drawing numbers according to App. K - App. VI (including the basic drawings and drawings of all options used):
[d]	Number of mounting points to bodyshell / chassis:

**1.6 FURTHER INFORMATION, IF NECESSARY:**



### 14 – TECHNICAL REGULATIONS

- The car must comply with the technical regulations for Group \_\_\_\_\_ of Appendix J 19 .
- Or, the car must comply with the following technical regulations: \_\_\_\_\_ (from 19 \_\_\_\_\_).

The regulations of current Appendix K have priority.

### 15 – APPLICANT’S DECLARATION

I AS OWNER OR PERSON WHO HAS BEEN DULY AUTHORISED BY THE OWNER TO SUBMIT THE APPLICATION FOR THE HTP, CERTIFY (i) THAT THE INFORMATION GIVEN IS CORRECT, AND (ii) THAT THE AUTHORISING ASN WILL BE IMMEDIATELY NOTIFIED SHOULD ANY CHANGES BE MADE TO THE CAR AFTER THE PRESENT HTP HAS BEEN ISSUED. I FURTHERMORE ACKNOWLEDGE, THAT SHOULD THE CAR NOT CONFORM TO THE SPECIFICATIONS SET FORTH HEREIN AT ANY TIME AFTER ISSUANCE OF THE PRESENT HTP, THIS HTP MAY BE IMMEDIATELY CANCELLED. I ALSO UNDERTAKE THAT ANY ENTRY FORM FOR AN FIA INTERNATIONAL EVENT WILL BE FILLED IN ACCORDING TO THE INFORMATION GIVEN ON THE PRESENT FORM.

Name of the Applicant:
Name of the car owner (if different than the Applicant):
Full address:
Licence number (if applicable):

Date:

Signature:

**CAUTION:** This document is intended solely to verify that, at the date of the inspection, the car appears to be eligible to compete in FIA-sanctioned events for Historic Vehicles (as defined in the International Sporting Code). It makes no representation as to the authenticity or history of the car. The ASN has not inspected the car for any purpose other than that specified above, and neither the ASN nor the FIA shall be held liable, in any way for the accuracy or fitness for a particular purpose (other than the purpose set forth above), of any information contained in this form. Such information has been supplied by the applicant on behalf of the owner of the car, who remains solely responsible for its accuracy.

### CHANGE IN OWNERSHIP

Name of the new car owner:
Full address:
Licence number (if applicable):
Name of the new car owner:
Full address:
Licence number (if applicable):
Name of the new car owner:
Full address:
Licence number (if applicable):









**ONLY FOR SINGLE SEATER CARS, TWO-SEATER RACING CARS AND ANY OTHER CARS EQUIPPED WITH A ROLL OVER PROTECTION SYSTEM (ROPS) WHICH IS NOT HOMOLOGATED OR WHICH IS NOT CERTIFIED BY AN ASN**

**TICK THE BOX (ONLY ONE) THAT APPLIES:**

- I certify that the ROPS is as per period specification [Section 1.5 of page 23]
- I certify that the ROPS is as per Appendix K / self made system in compliance with Article 1.2.5.2 (b) of Appendix VI to Appendix K [Section 1.4 of page 23]

Or

- I certify that the ROPS is as per Appendix K / self made system in compliance with Article 1.2.5.2 (a) of Appendix VI to Appendix K and that I have the relevant certificate substantiating the ROPS strength [Section 1.4 of page 23]

As the issuing ASN is unable to control the following technical parameters without affecting the structural, historical and/or patrimonial integrity of the car (analysis of the material impossible without partial destruction or sampling of material), the issuing ASN relies on the Applicant's representations and the issuing ASN and/or the FIA shall not in any way be held responsible for any incorrect, inaccurate, false or misleading information provided herein by the Applicant.

	Main/Lateral bar	Front bar	Diagonals	Other struts	Cross braces
Wall thickness (mm)					
Material specifications					

The items shown above are those claimed by the applicant based upon his best available knowledge.

Applicant First Name:
Applicant Last Name:

Date:

Name & Signature: