
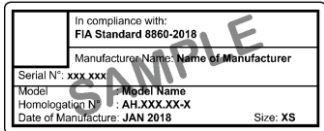

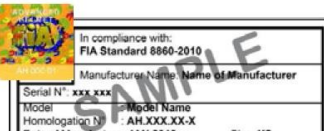

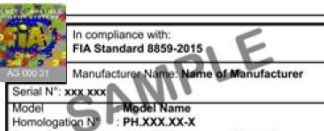

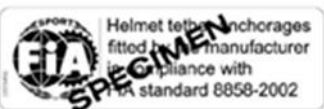
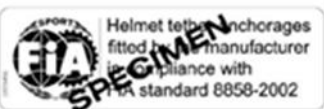







RECOGNISED HELMET STANDARDS FOR THE USE OF A FRONTAL HEAD RESTRAINT


Demonstrating acceptable combinations of Helmet and FHR standards for both FIA International and Motorsport UK National events.

Standard designation	Label example	FIA events	Motorsport UK events
FIA 8860-2018 (with FIA hologram)	 <p>OR</p> 	YES	YES
FIA 8860-2010	 <p>OR</p> 	YES	YES
FIA 8860-2004 <div style="border: 1px solid red; padding: 2px; color: red; font-weight: bold;">NOT VALID AFTER 31.12.2020</div>		YES	YES
FIA 8859-2015		YES	YES
Snell SA 2005 + FIA 8858-2002 <div style="border: 1px solid red; padding: 2px; color: red; font-weight: bold;">NOT VALID AFTER 31.12.2018</div>	 <p>OR</p> 	YES	YES
Snell SA 2010 + FIA 8858-2002 <div style="border: 1px solid red; padding: 2px; color: red; font-weight: bold;">NOT VALID AFTER 31.12.2023</div>		YES	YES


<p>Snell SA 2005 + FIA 8858-2010</p> <p>NOT VALID AFTER 31.12.2018</p> <p>Snell SA 2010 or SAH2010 + FIA 8858-2010</p> <p>NOT VALID AFTER 31.12.2023</p>		<p>YES</p>	<p>YES</p>
--	--	-------------------	-------------------

Standard designation	Label example	FIA events	Motorsport UK events
<p>Snell SA 2015 + FIA 8858-2010 tether anchors</p> <p>NOT VALID AFTER 31.12.2023</p>		<p>NO</p>	<p>YES</p>
<p>Snell SAH 2010 + FIA 8858-2010 tether anchors</p> <p>NOT VALID AFTER 31.12.2023</p>		<p>NO</p>	<p>YES</p>
<p>Snell SA 2005</p> <p>NOT VALID AFTER 31.12.2023</p>		<p>NO</p>	<p>NO</p>
<p>SFI 31.1 SFI 31.1A SFI 31.2A</p> <p>NOT VALID AFTER 31.12.2023</p>		<p>NO</p>	<p>NO</p>


in compliance with FIA standard 8858-2002
 Manufacturer: xxxxxx
 Model: xxxxxx



FIA 8858-2002



FIA 8858-2010



FIA 8858-2002

Helmet tether anchorages fitted by the manufacturer in compliance with FIA standard 8858-2002



FIA 8858-2010



FIA 8858-2002


FIA Standard 8860-2004
 Manufacturer: Helmet Inc.
 Model: xxxxxxxx
 Size: xx



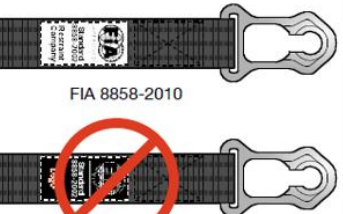
FIA 8858-2002
 FIA 8860-2004

in compliance with FIA Standard 8858-2010
 Manufacturer: xxxxxx
 Model: xxxxxx
 Serial No: xxxxxx

in compliance with FIA Standard 8858-2010
 Manufacturer: Nihil, Nihil of Manufacturer
 Model: xxxxxx
 Serial No: xxxxxx
 Date of Manufacture: JAN 2013



FIA 8858-2010




FIA 8858-2002

Helmet compliant with FIA Standard 8858-2010
 Manufacturer: Nihil, Nihil of Manufacturer
 Model: xxxxxx
 Serial No: xxxxxx
 Date of Manufacture: JAN 2013


in compliance with FIA Standard 8858-2010
 Manufacturer: Nihil, Nihil of Manufacturer
 Model: xxxxxx
 Serial No: xxxxxx
 Date of Manufacture: JAN 2013

in compliance with FIA Standard 8858-2010
 Manufacturer: Nihil, Nihil of Manufacturer
 Model: xxxxxx
 Serial No: xxxxxx
 Date of Manufacture: JAN 2013

in compliance with FIA Standard 8858-2010
 Manufacturer: Nihil, Nihil of Manufacturer
 Model: xxxxxx
 Serial No: xxxxxx
 Date of Manufacture: JAN 2013



FIA 8858-2010



FIA 8858-2002

FIA 8859-2015
 FIA 8858-2010
 FIA 8860-2010

